



Introduction to the LiteLinz Linear system -

This linear fixture is a seamless splicing design with straight/corner/cross splicing connector, it can realize a very convenient connection with male and female plug. Two lamp cover options: Standard cover and DIY soft cover. Adopt high lumen SMD light source, flicker free and high efficiency driver make a better lumen. Aluminum housing provides an excellent thermal management. Functions: Down lighting, up&down lighting, adjustable CCT, emergency and sensor. Mounting design: Pendant/surface mounted/wall mounted/recessed/Track. Modular design: Replaceable driver and emergency module.

Features

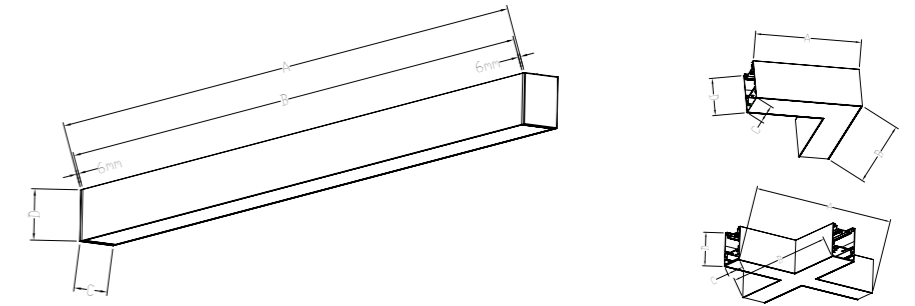
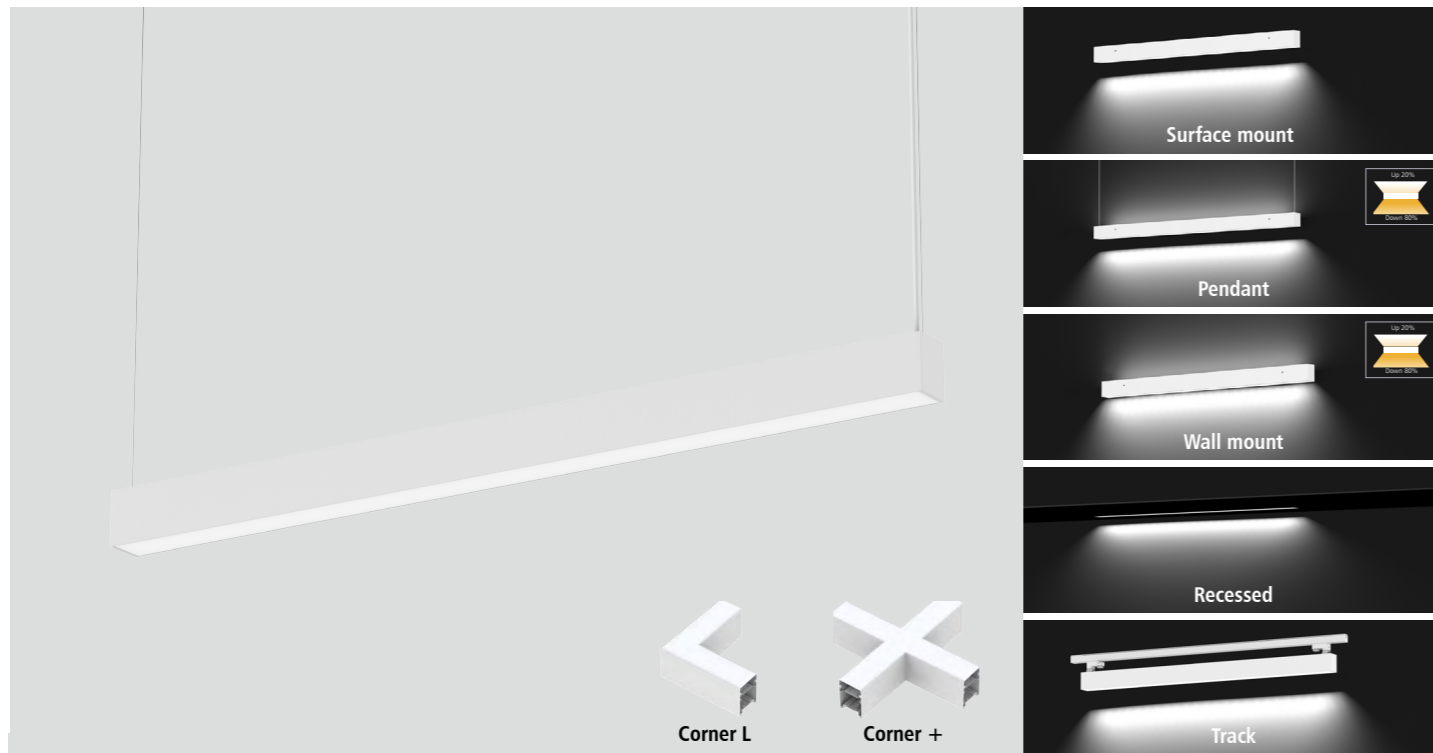
- Multiple installation: Pendant/surface mounted/wall mounted/recessed/Track.
- Modular design with convenient replacement.
- High lumen efficiency, 100LM/W.
- Interchangeable CCT(3000/4000/5700k) with slide switch.
- Non dim/DALI/0-10V dim flicker free driver.
- With emergency and sensor function.
- Up and down light effect for wall mount and pendant installation.
- With Straight/corner/ cross shaped connectors, can do seamless splicing with DIY soft cover.

Remark: (corner/cross shaped connectors can be only used for 1200mm down lighting distribution version, not available for 1500mm).

Application Areas

This linear fixture is widely used in Offices, Retail & Education applications





Measurement

Code	Dimension(mm)					Size(mm)	Product Weight (Kg)		Package weight (Kg)		Carton Size(cm)	Qty/CTN	20GP (pcs)	40HQ (pcs)
	Feet	A	B	C	D		N.W/PC	G.W/PC	N.W/CTN	G.W/CTN				
1200	4'	1212	1200	57	76	1212*57*76	2.7	3.2	16.2	20.2	127*31*25.5	6pcs	1710	4074
1500	5'	1512	1500	57	76	1512*57*76	3.5	4.2	21	26.5	157*31*25.5	6pcs	1374	3204
L	-	200	200	57	76	200*200*76	0.65	0.9	7.8	12	51*44*23	12pcs	6840	15948
X	-	343	343	57	76	343*343*76	1.1	1.3	6.6	8.8	51*36.5*37	6pcs	2484	6006

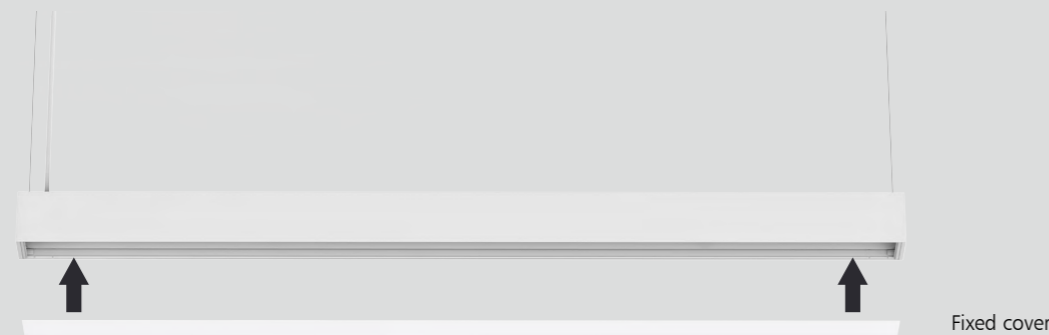
Technical Data Sheet

Code No.	LT77A-1200-36W	LT77A-1200-45W	LT77A-1500-45W	LT77A-1500-56W		
Dimension(mm)	1212*57*76		1512*57*76			
Cutout (mm)	-					
Watt(W)	36	45	45	56		
Rated Input Voltage(V)	AC200-240V					
Input Voltage(V)	AC180-264V					
LED Module Input	-					
Light Source	SMD					
SDCM	<6 (@3000K 4000K 5000K)					
CCT(K)	1-CCT: 3000K/4000K/5000K 3-CCT: 3000K + 4000K + 5000K					
CCT Selection DIP Switch	YES					
Luminous Flux (lm) ±5%	Non-DIM	1-CCT	3350-3750	4000-4700	4000-4700	5100-5900
	DIM	1-CCT	3300-3700	3900-4600	3900-4600	5000-5800
	Non-DIM	3-CCT	3350-3850	4000-4850	4000-4850	5100-6000
	DIM	3-CCT	3300-3800	3900-4750	3900-4750	5000-5900
CRI	80					
Beam Angle (°)	110 °	UP 110° / Down 110°	110 °	UP 110° / Down 110°		
UGR	-					
LED Driver	Built-in					
Dimming Option	Non-dimmable/0-10V/DALI					
Sensor	Yes					
Emergency Kits	Yes					
Electrical Class	Class I					
Ingress Protection (IP Rating)	IP20					
Impact Resistance (IK Rating)	-					
Product Finishing(Base)	White RAL 9016 / Black RAL 9005					
Materials of Optics	PC					
Materials of Housing	Aluminum					
Lifetime (hr)	50,000h					
Glow wire test (°C)	750°C (Cover)					
Operating Temp. (°C)	-20°C ~45°C					
Storage Temp. (°C)	-20°C ~65°C					
Installation	Surface mount/ Suspended/ Wall mounted/Recessed/Track					

DIY FUNCTION

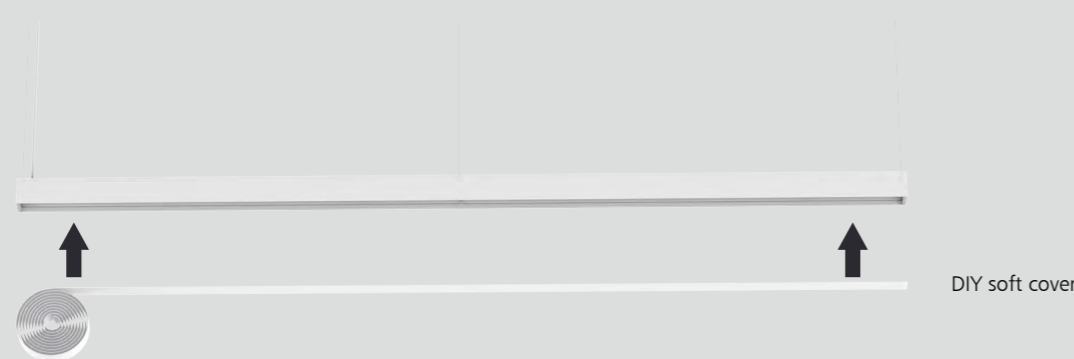
Cover:

Option 1



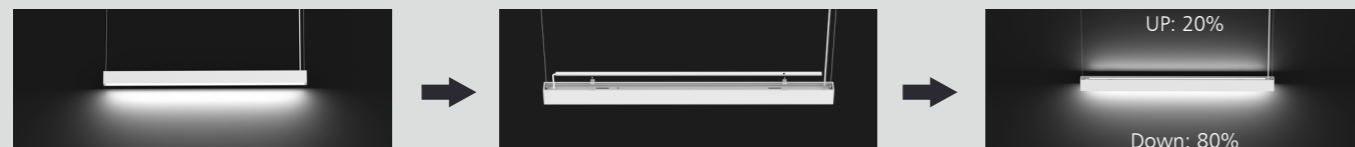
Fixed cover

Option 2



DIY soft cover

Up & down lighting distribution:



Driver Datasheet(Non-dimmable)

Total load wattage		45W	56W
Output	Output Voltage range	DC 3-42V	
	Rated output current	1100mA	1350mA
	Line Regulation	±5%	
	Setup, Rise Time	≤0.5S/230VAC	
	Flickering Index	5%	
Input	Input Voltage	AC200-240V	
	Rated Input Voltage(V)	AC180-264V	
	Frequency	47-63Hz	
	Input Current	<0.35A	<0.4A
	Rated Input Current	0.26A	0.32A
	Power Factor	>0.9	
	THD	<10% @ 230VAC	
	Efficiency	≥86	
	No load wattage	<1W	
Protection	Short circuit protection	Pass	
	Over voltage protection	Pass	
	Over temperature protection	Pass	
Safety &EMC	Withstand voltage	I/P-O/P:3750VAC,I/P-FG:1750VAC,O/P-FG:500VAC	
	Isolation Resistance	I/P-O/P: 500VDC, ≥100M Ω	
	Surge	IEC/EN61000-4-5 (L-N:1KV, L/N-PE:2KV)	
	EMC Emission	IEC/EN55015, IEC/EN61000-3-2	
	EMC Immunity	IEC/EN61000-4-2,3,4,5,6,8,11; IEC/EN61547	

Driver Datasheet(1-10v)

Total load wattage		45W	56W
Output	Output Voltage range	DC 3-42V	
	Rated output current	1100mA	1350mA
	Line Regulation	±5%	
	Setup, Rise Time	≤0.5S/230VAC	
	Flickering Index	5%	
Input	Input Voltage	AC200-240V	
	Rated Input Voltage(V)	AC180-264V	
	Frequency	47-63Hz	
	Input Current	<0.35A	<0.45A
	Rated Input Current	0.26A	0.32A
	Power Factor	>0.9	
	THD	<10% @ 230VAC	
	Efficiency	≥88	
	No load wattage	<1W	
Protection	Short circuit protection	Pass	
	Over voltage protection	Pass	
	Over temperature protection	Pass	
Safety &EMC	Withstand voltage	I/P-O/P:3750VAC,I/P-FG:1750VAC,O/P-FG:500VAC	
	Isolation Resistance	I/P-O/P: 500VDC, ≥100M Ω	
	Surge	IEC/EN61000-4-5 (L-N:1KV, L/N-PE:2KV)	
	EMC Emission	IEC/EN55015, IEC/EN61000-3-2	
	EMC Immunity	IEC/EN61000-4-2,3,4,5,6,8,11; IEC/EN61547	

Driver Datasheet(DALI)

Total load wattage		45W	56W
Output	Output Voltage range	DC 3-42V	
	Rated output current	1100mA	1350mA
	Line Regulation	±5%	
	Setup, Rise Time	≤0.5S/230VAC	
	Flickering Index	5%	
Input	Input Voltage	AC200-240V	
	Rated Input Voltage(V)	AC180-264V	
	Frequency	47-63Hz	
	Input Current	<0.35A	<0.45A
	Rated Input Current	0.26A	0.32A
	Power Factor	>0.9	
	THD	<10% @ 230VAC	
	Efficiency	≥88	
	No load wattage	<1W	
Protection	Short circuit protection	Pass	
	Over voltage protection	Pass	
	Over temperature protection	Pass	
Safety &EMC	Withstand voltage	I/P-O/P:3750VAC,I/P-FG:1750VAC,O/P-FG:500VAC	
	Isolation Resistance	I/P-O/P: 500VDC, ≥100M Ω	
	Surge	IEC/EN61000-4-5 (L-N:1KV, L/N-PE:2KV)	
	EMC Emission	IEC/EN55015, IEC/EN61000-3-2	
	EMC Immunity	IEC/EN61000-4-2,3,4,5,6,8,11; IEC/EN61547	

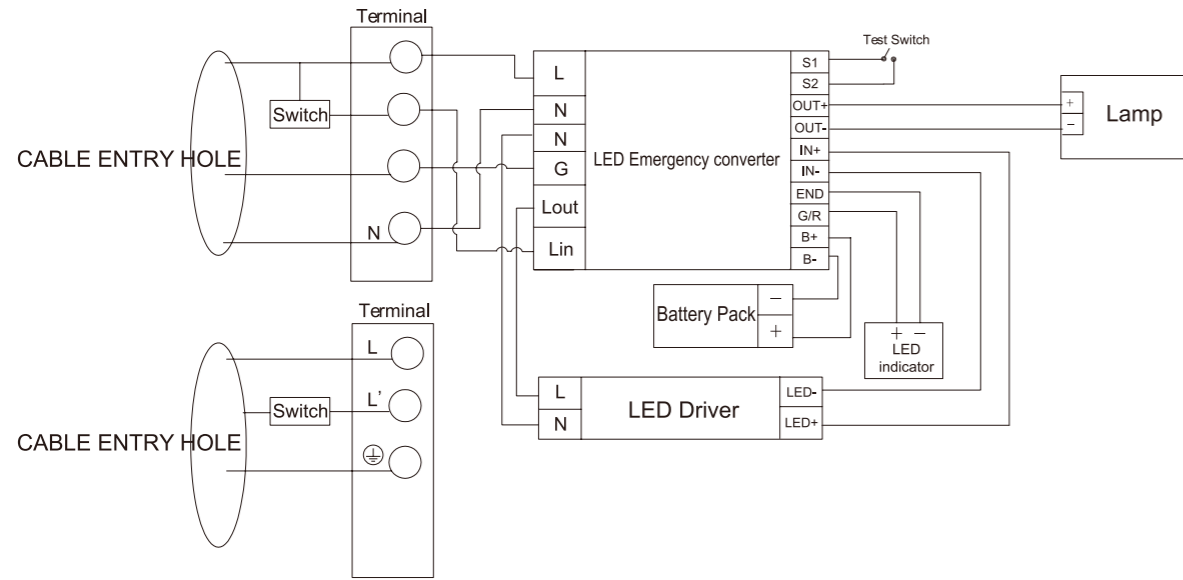
Driver Datasheet (Sensor)

Sensor datasheet	
Operating voltage	220-240VAC 50/60Hz
Power consumption	1.5W±0.5W
Microwave frequency	5.8GHz±75MHz, ISM wave band
Transmission power	<0.5mW
Detection angle	140°
Detection Area	100%/75%/50%/25%(4-7M)
Hold time	5S/30S/90S/5Min/20Min/30Min
Daylight sensor	2lux/10lux/30lux/50lux/Disable
Stand-by DIM Level	-
Stand-by Period	-
Dimming Range	-
Microwave ON/OFF function	-
Installation Height	Recommended Installation Height: 1.8m Ceiling mounted height 3m.
Operating temperature(°C)	-20°C ~60°C

Driver Datasheet (Emergency)

Power	
Rated Input Voltage(V)	AC230V
Frequency	50/60Hz
Input Voltage	AC200-240V
Total load wattage	3W±0.5W
Rated Input Current	≤0.023A
Battery	6.4V 1500mAh (LifepO4)
Lifetime	Over 2000 cycles
Battery duration	≥3hrs
Charge Period	≤24hrs
Emergency switching time	≤1S

Wiring Diagram:



Cable connection

Mark	Description	Building wiring cable
L'	Switched Active	Switch cable
L	Unswitched Active	Unswitch cable
	Earth	Earth cable
N	Neutral	Neutral cable

Daylight & Microwave Sensor:

Sensor Setting:

Detection area		
1	2	
ON	ON	100%
-	ON	75%
ON	-	50%
-	-	25%

Hold time			
3	4	5	
ON	ON	ON	5S
-	ON	ON	30S
ON	-	ON	90S
-	-	ON	5min
ON	ON	-	20min
-	-	-	30min

Daylight sensor			
6	7	8	
ON	ON	ON	2Lux
ON	ON	-	10Lux
-	ON	-	30Lux
ON	-	-	50Lux
-	-	-	Disable

Detection area:

Detection area can be reduced by selecting the combination on the DIP switches to fit precisely each application.

Notice 1: The test is based on a height of 3m, the radius is the ground detect distance, which can be selected through the slide switch.

Notice 2: The detective range is measured by human body whose stature is around 1.6-1.7M with medium size and traveling speed is around 1.0-1.5M per second. If the stature, bodily form and traveling speed are changed, then the detective range will be changed accordingly.

Notice 3: Test result will be highly influenced by test environment, the more open environment, the closer detect distance; the narrower environment, the longer detect distance. The detector may do self-excitation in a narrow environment.

Hold time:

Refers to the time period the lamp remains at 100% illumination after no motion detected.

Notice 1: The hold time can be selected by the slide switch.

The hold time counting should be started after the sensor is powered on and initialized.

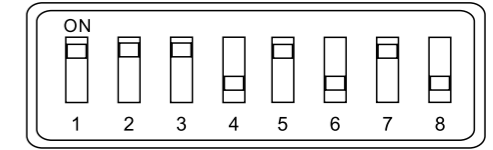
Daylight sensor:

The sensor can be set to only allow the lamp to illuminate below a defined ambient brightness threshold. When set to Disable mode, the daylight sensor will switch on the lamp when motion is detected regardless of ambient light level.

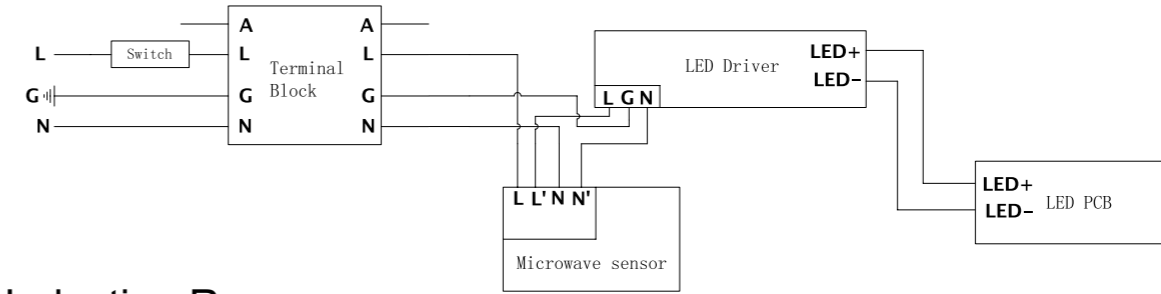
Notice 1: The light threshold can be selected through the slide switch, it may cause a large deviation in different lamps.

Factory settings:

Detection Area	Hold Time	Daylight Sensor
100%	90S	30Lux

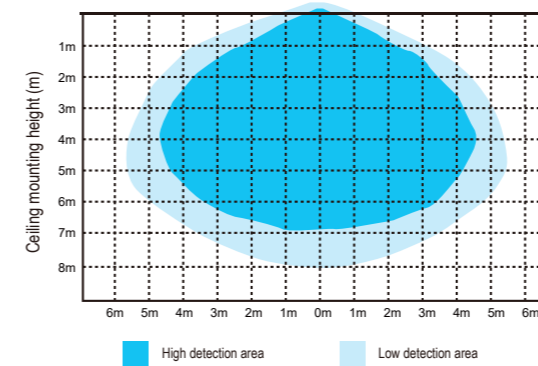


Wiring Diagram:

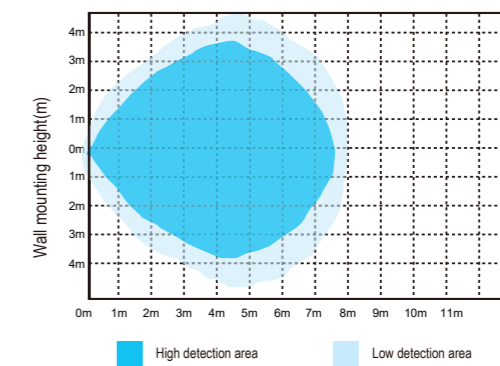


Induction Range

Ceiling Mounting pattern(Unit: m)



Wall Mounting pattern(Unit: m)



Installation Procedure

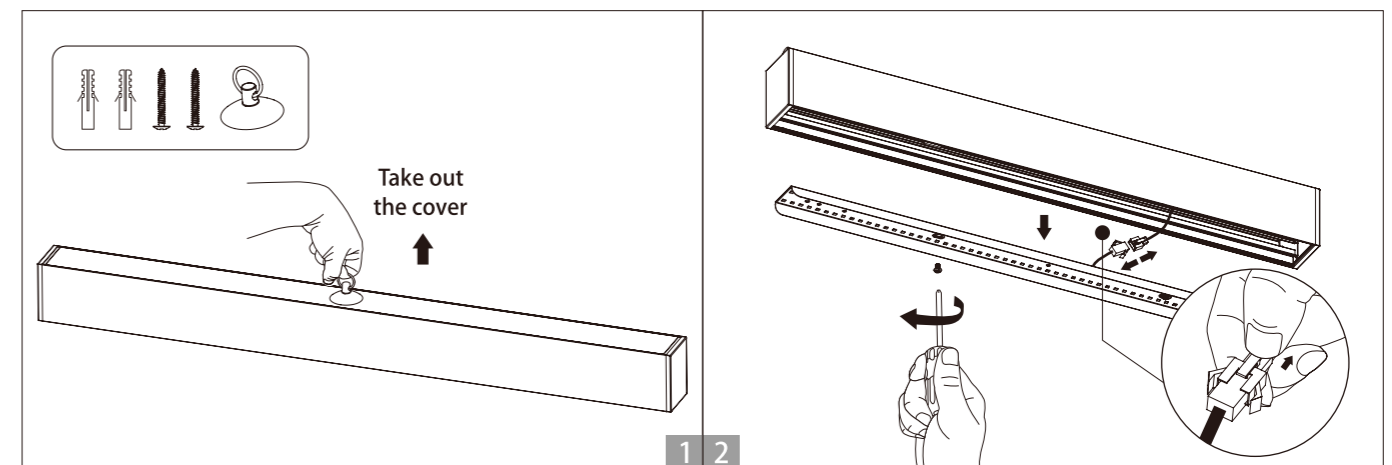
WARNING

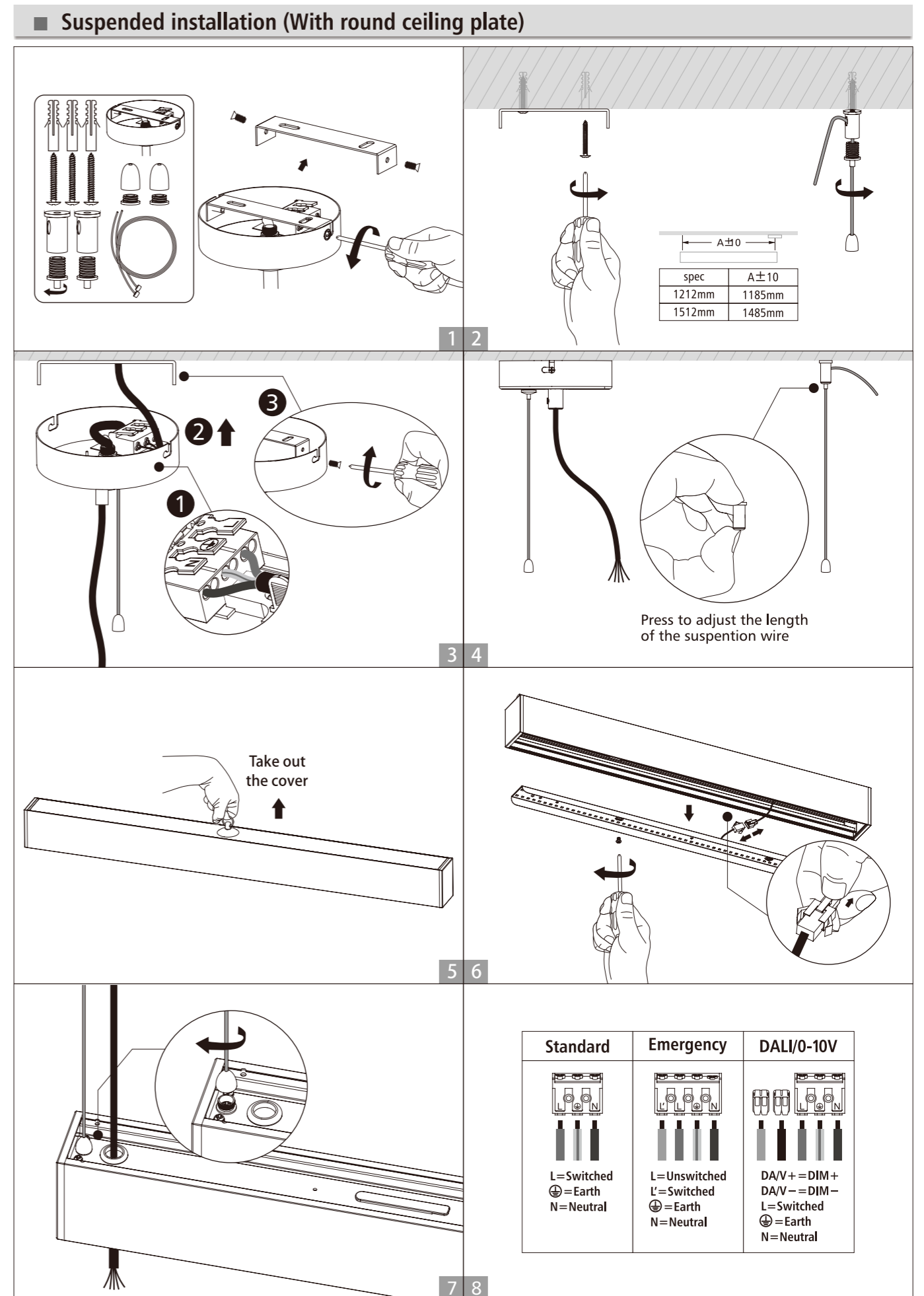
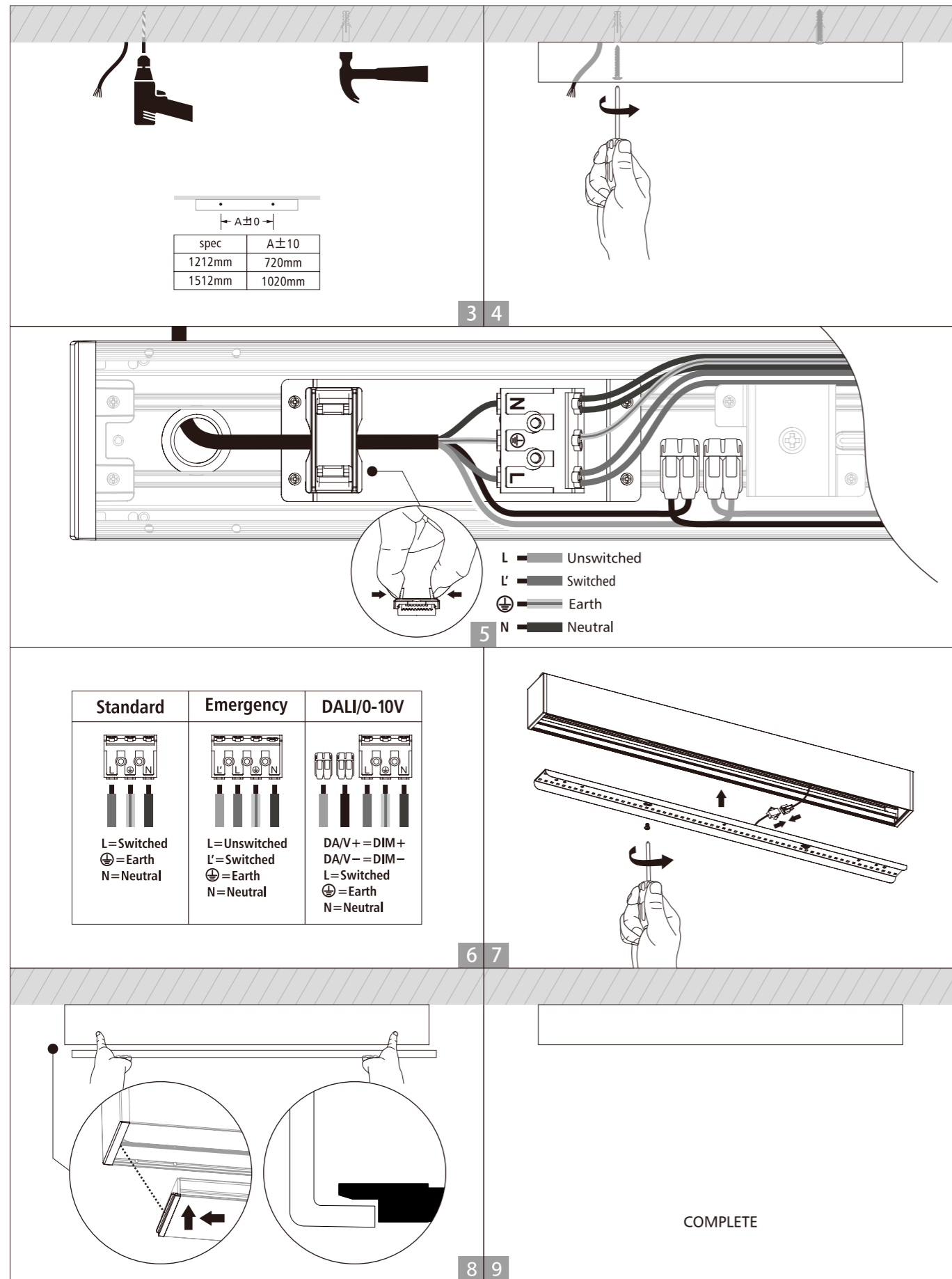
1. Switch off before installation.
2. Switch on only after complete installation and examination of the circuit.
3. Professional electrician for installation and maintenance only.

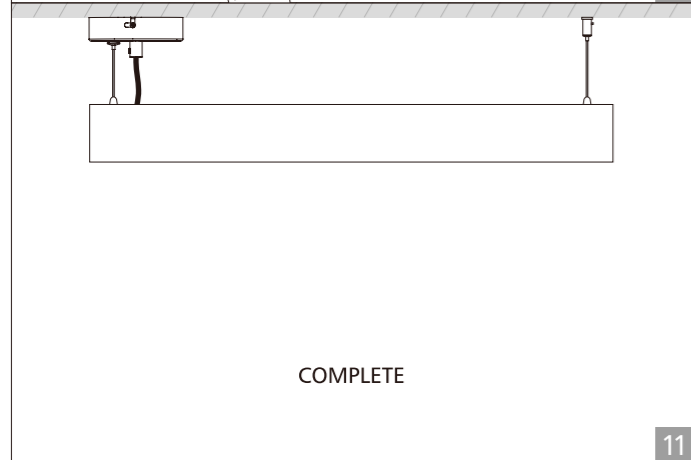
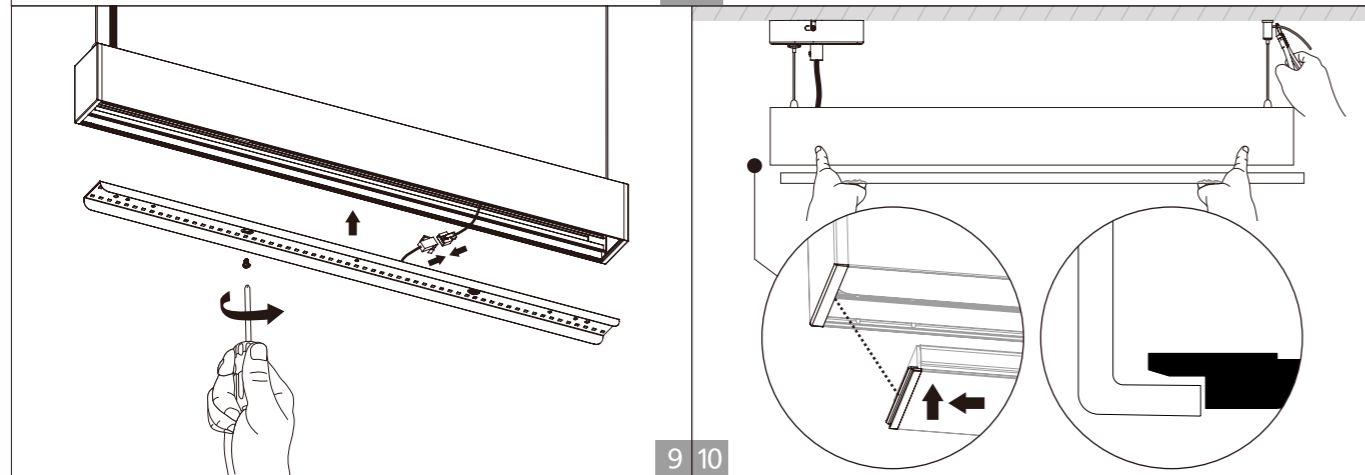
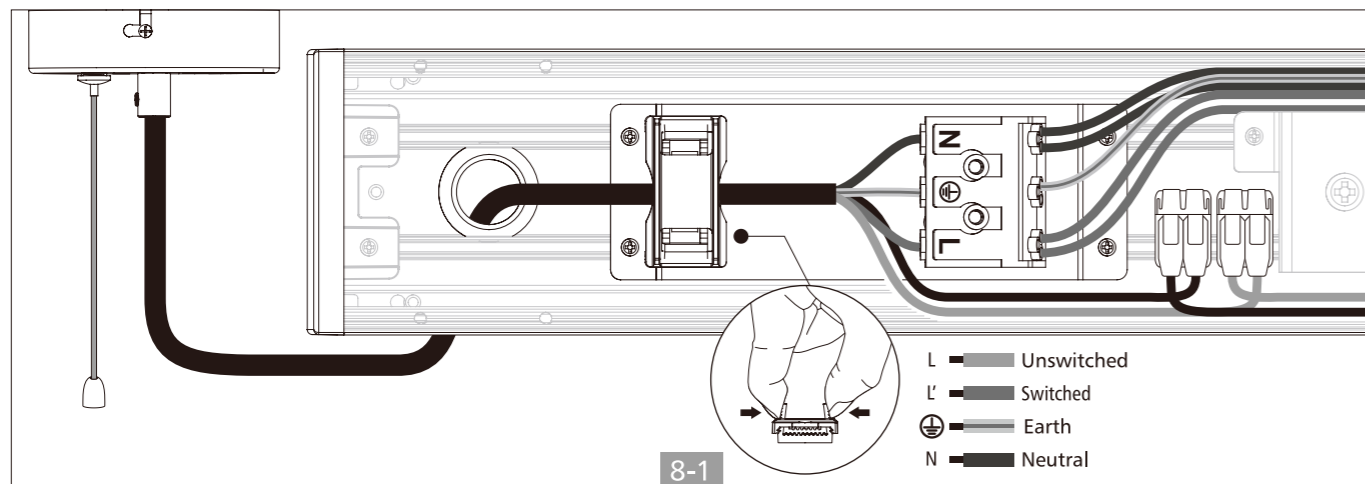


Turn Off power supply before starting any installation. Read instructions & check you have all the tools & accessories to complete the installation correctly.

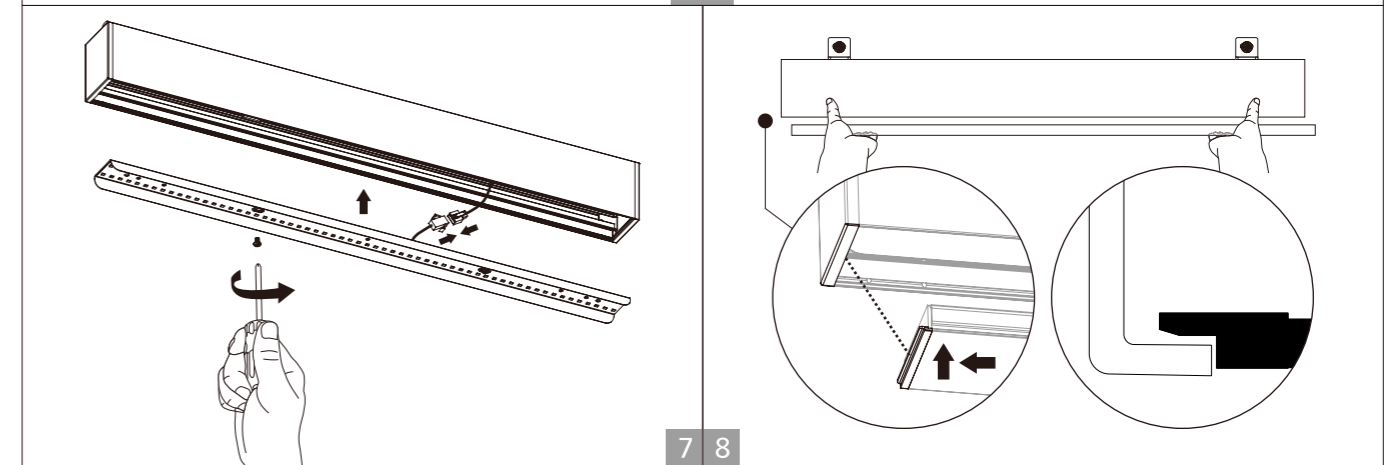
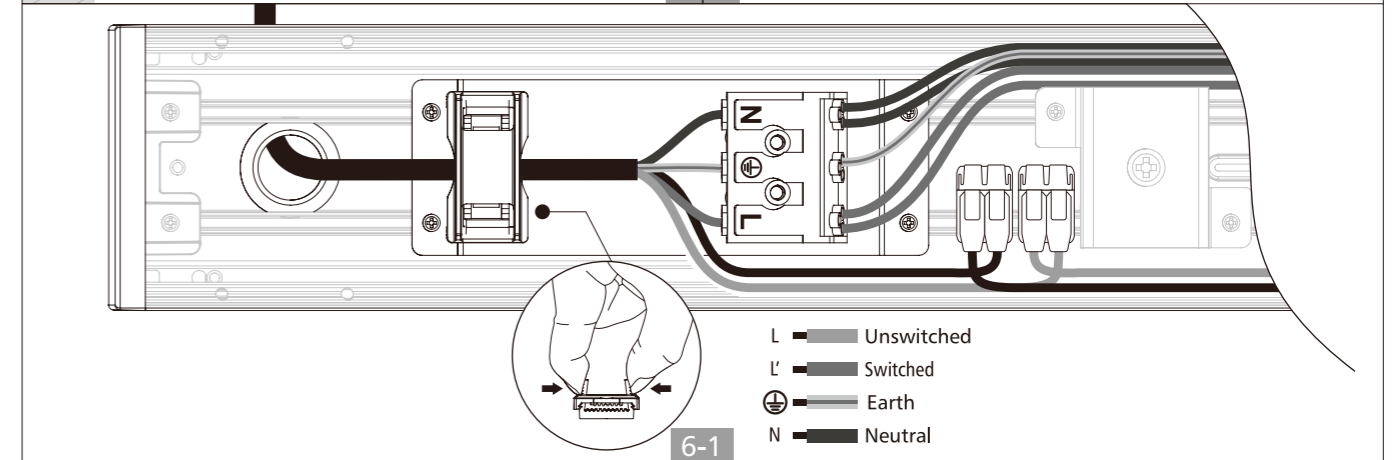
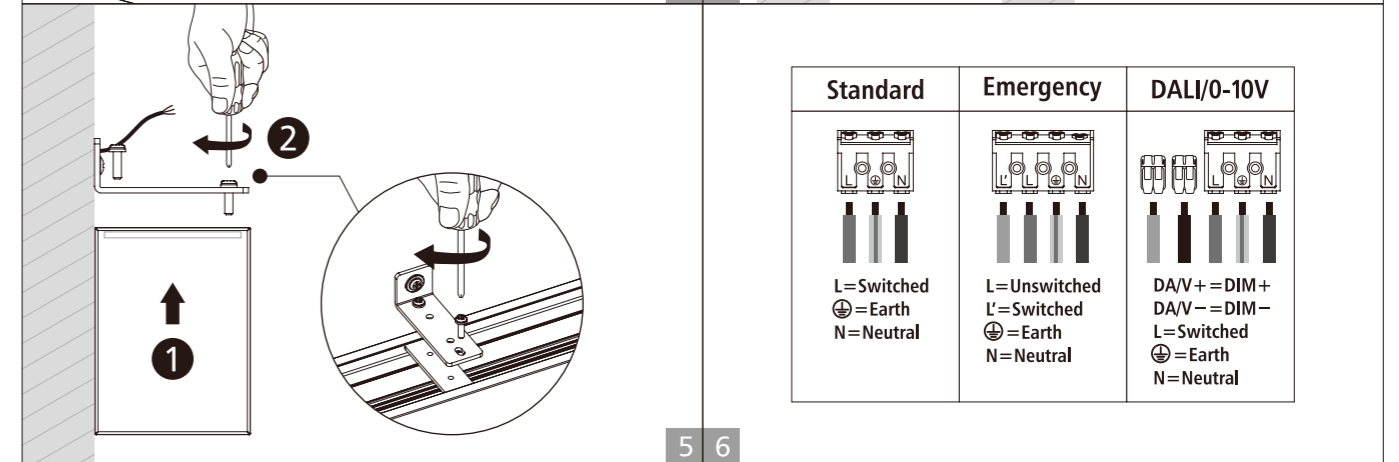
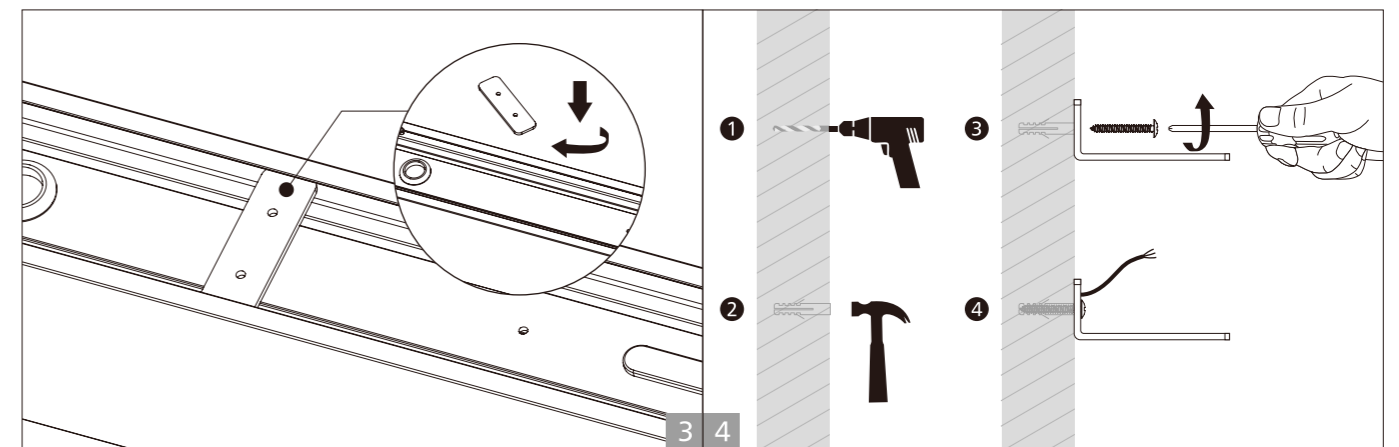
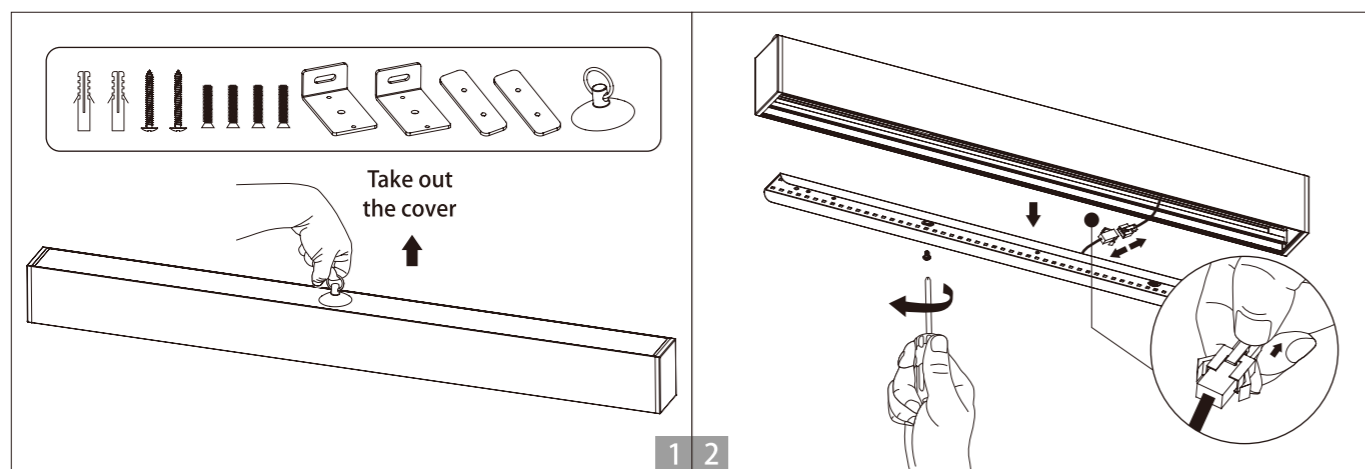
Surface mounted installation

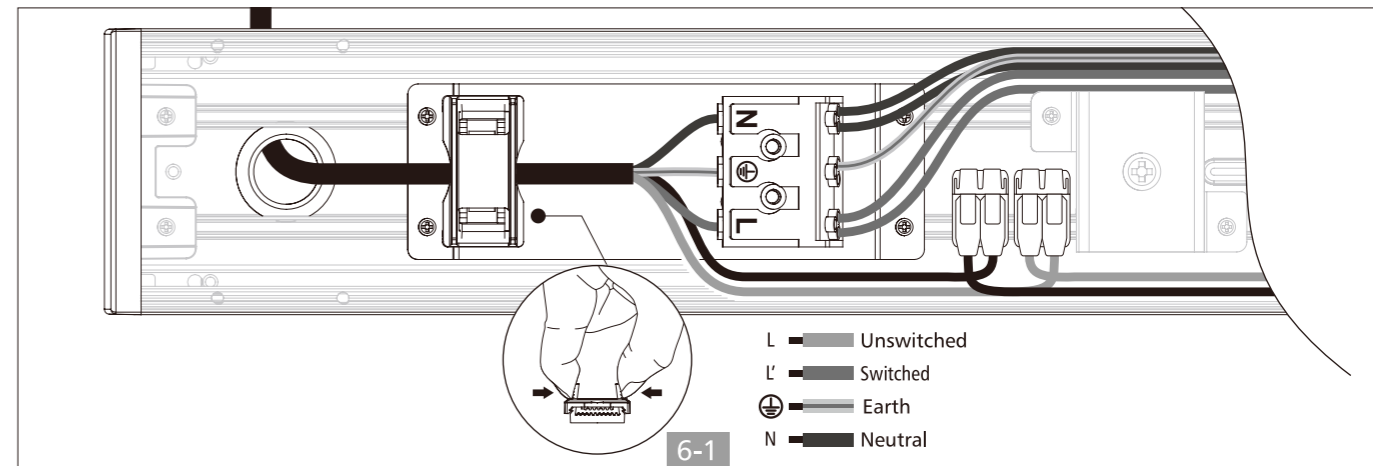
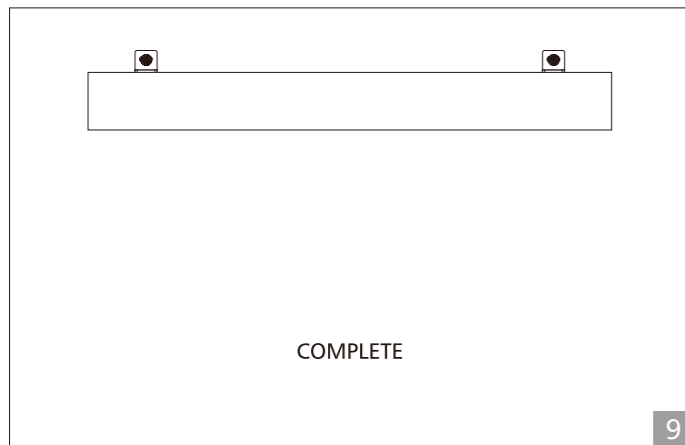




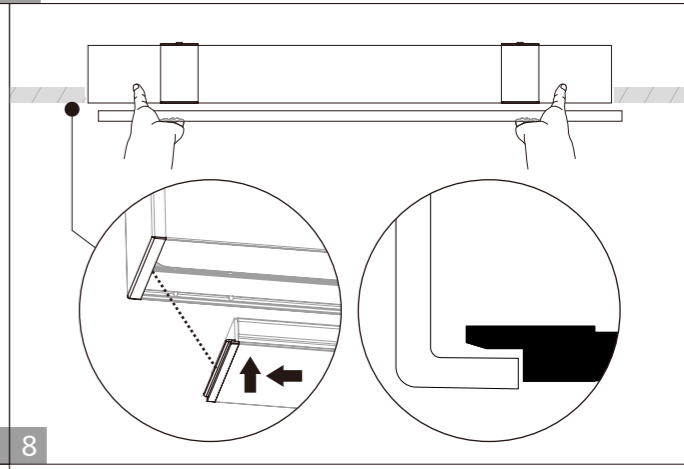
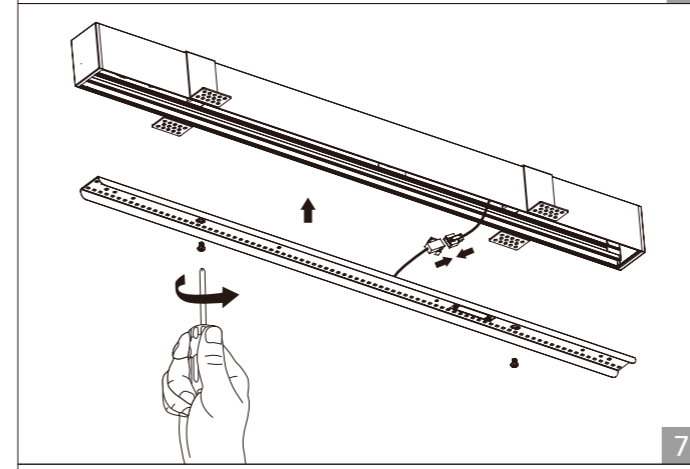
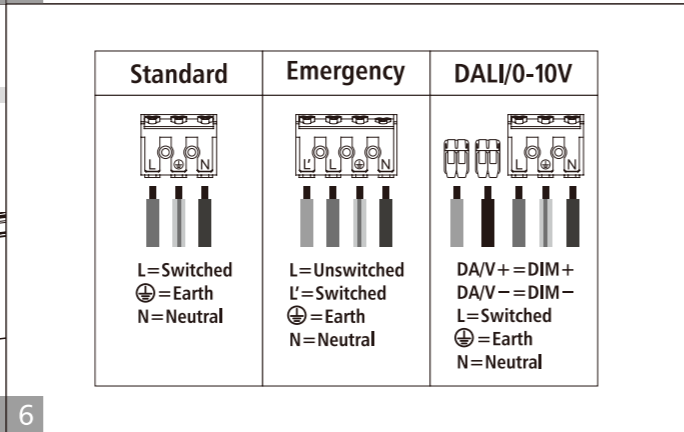
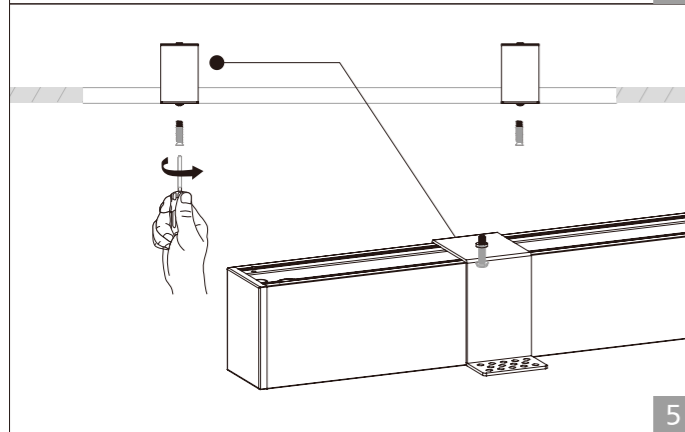
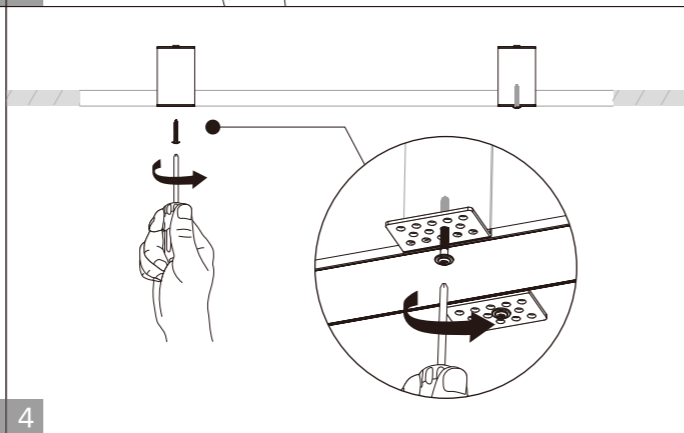
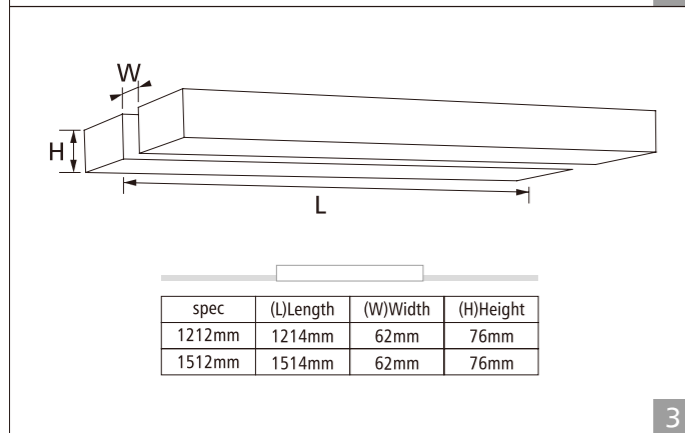
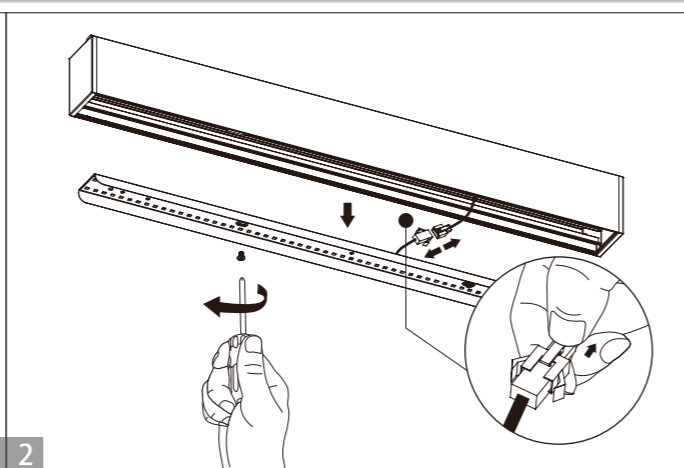
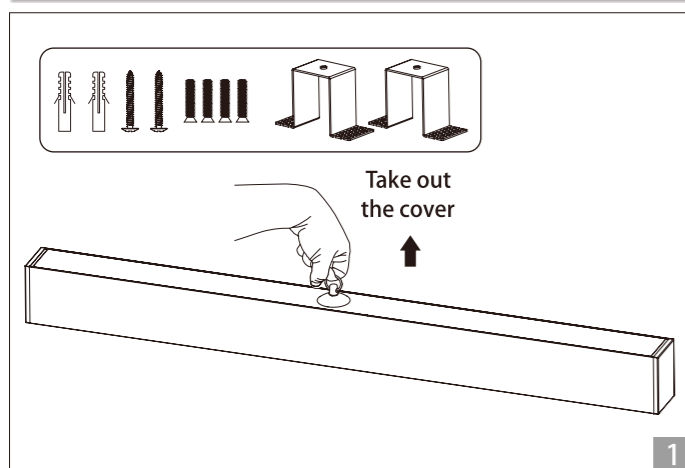


Wall mounted installation

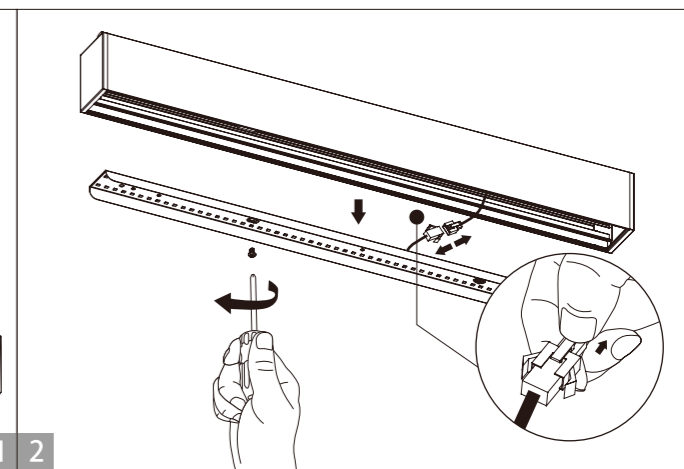
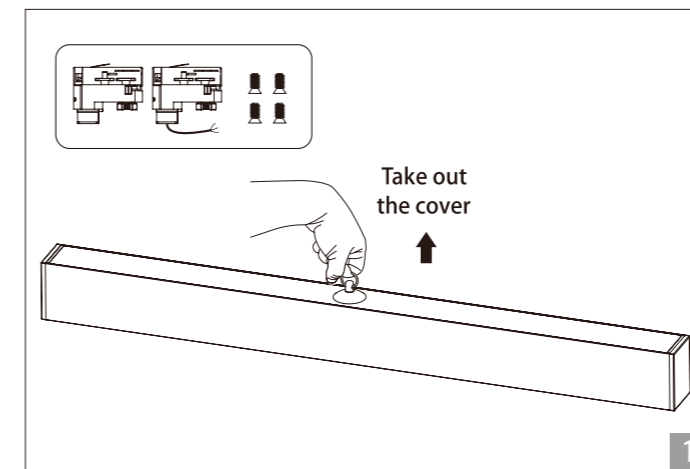


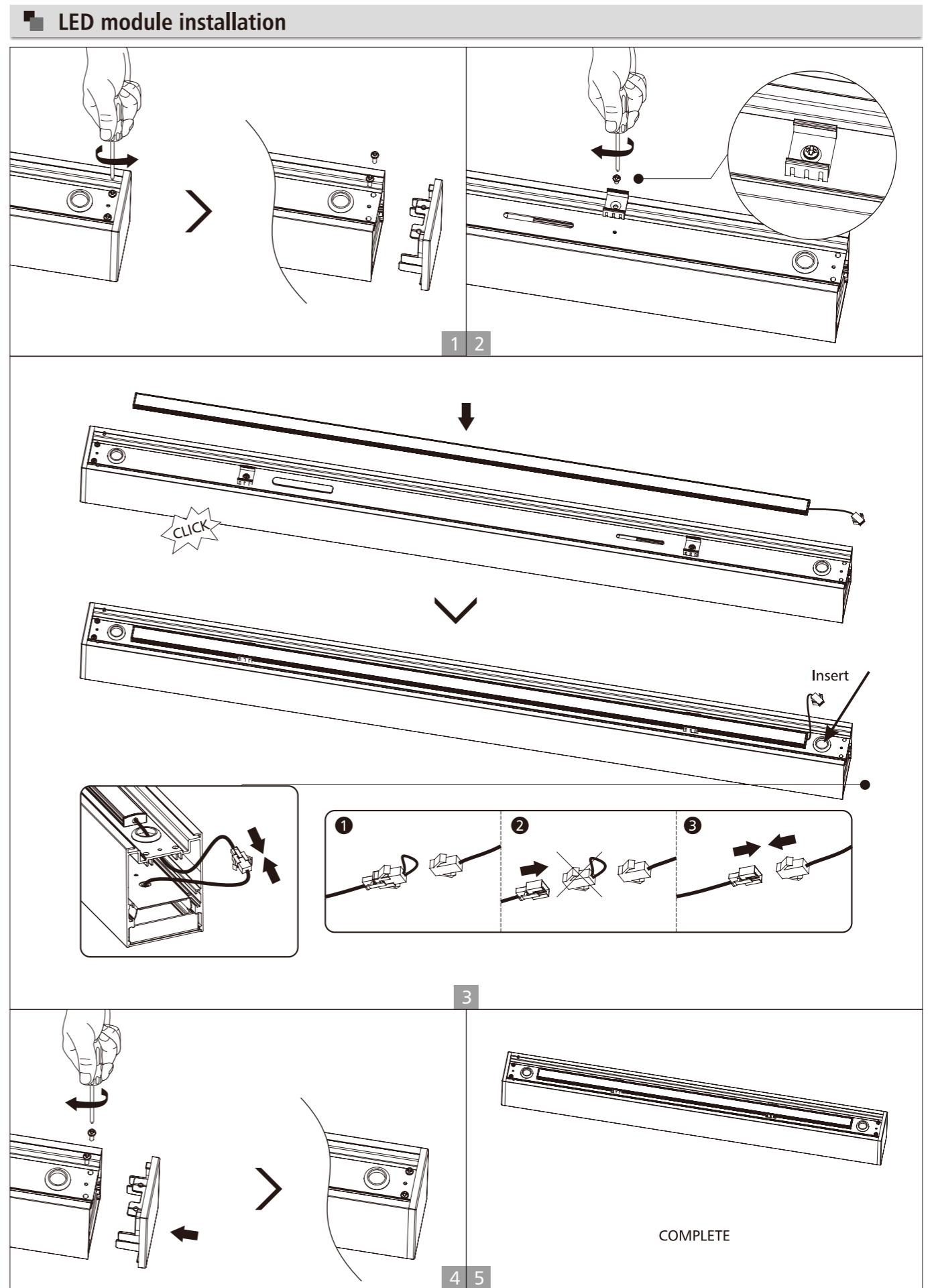
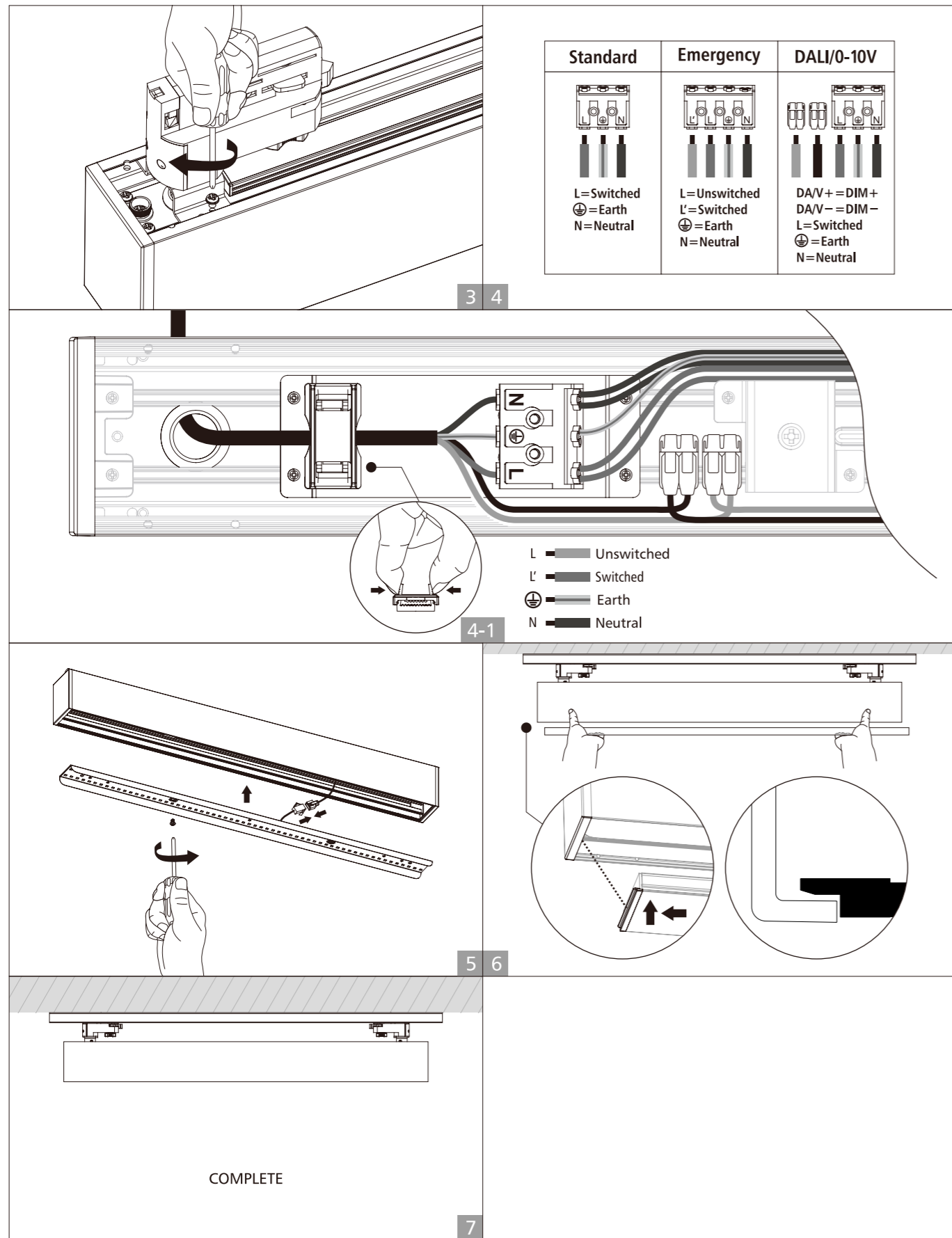


Recessed installation

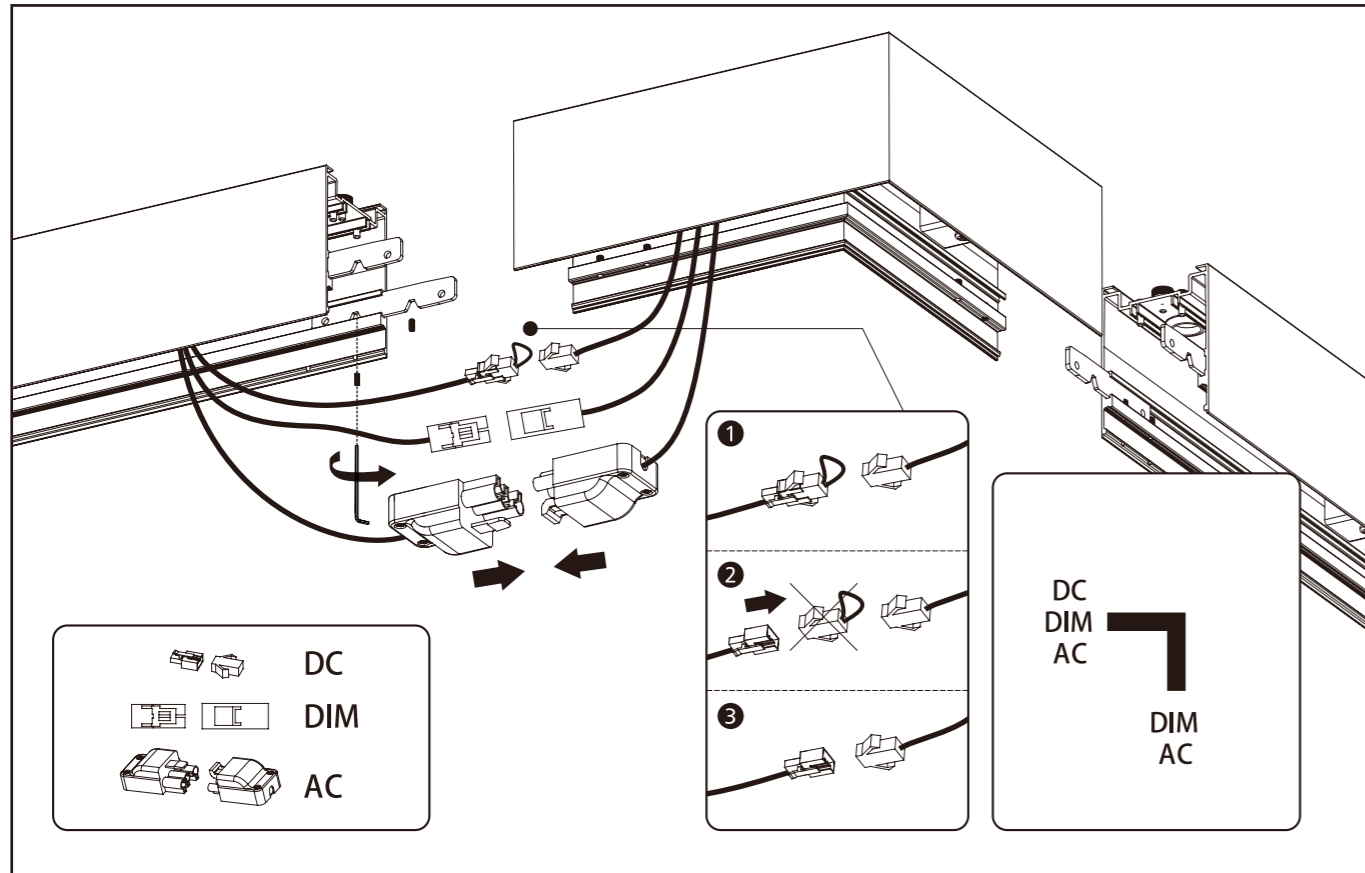


Track installation

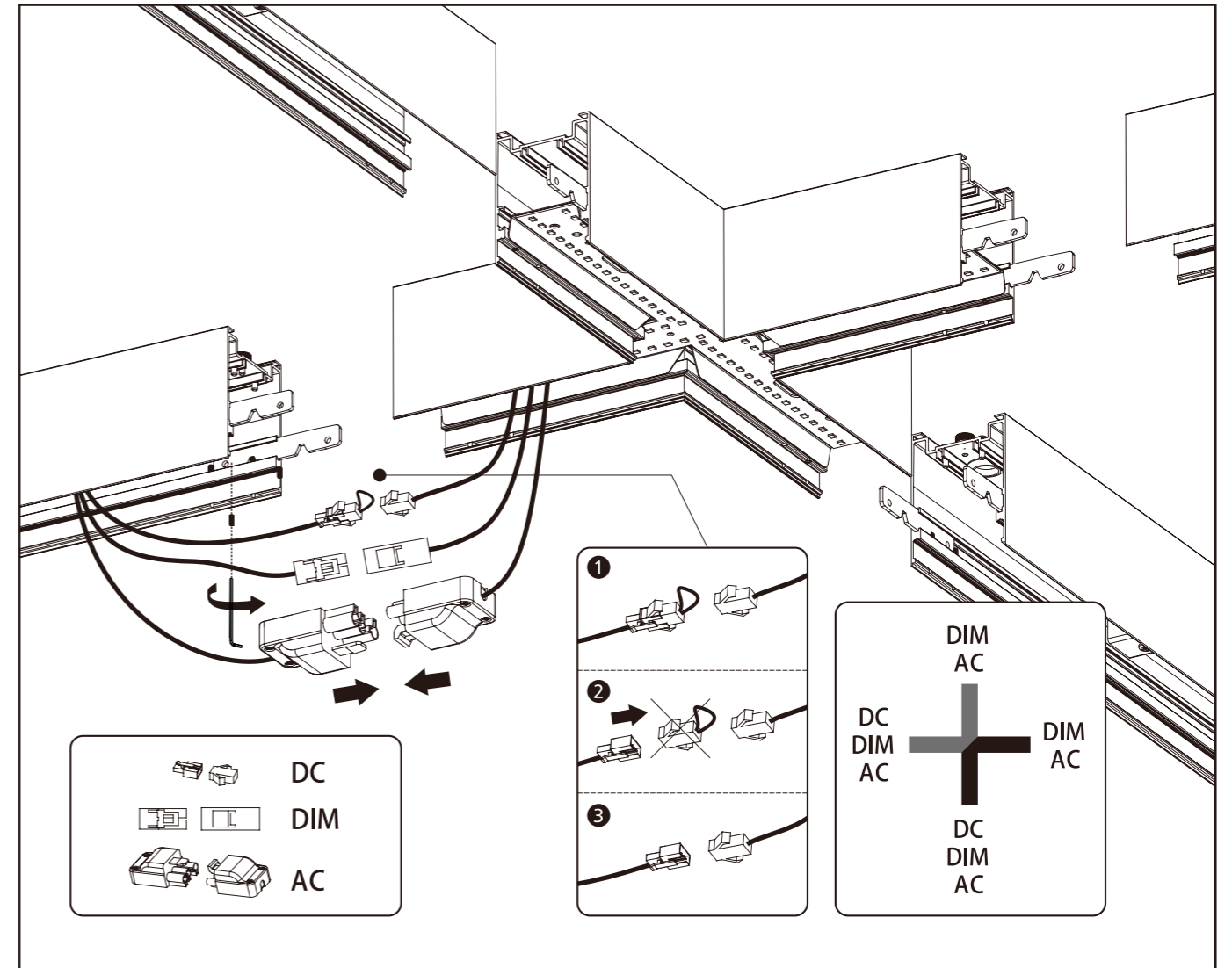




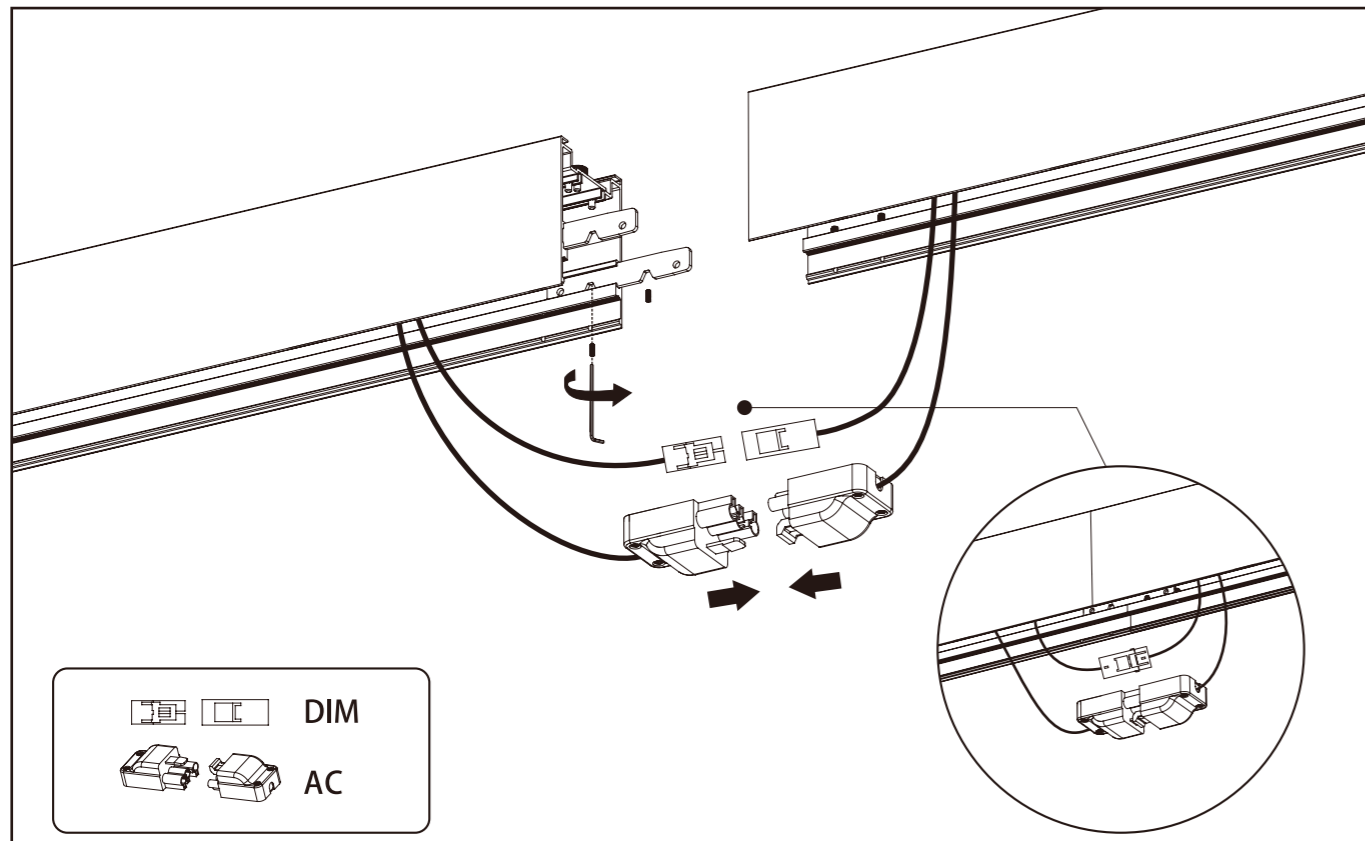
■ Straight "L"



■ Straight "+"

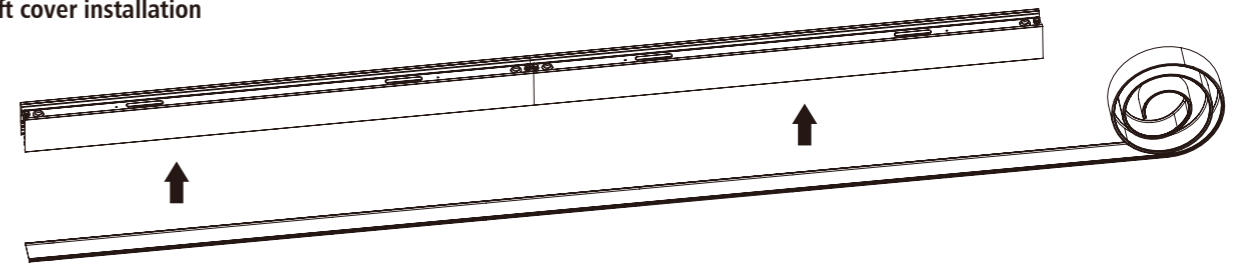


■ Straight "—"



■ Cover installation

Soft cover installation



Fixed cover installation

