

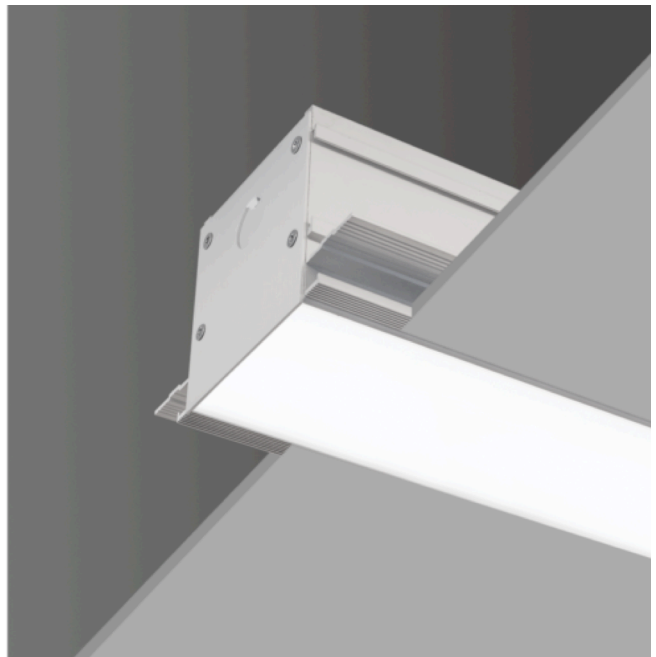
Configurations

LITEPLAIN (RECESSED)

LT/LP3.5R & LT/LP3.5RT

Recessed - Trimless

Recessed - with Trim



LITEPLAIN (RECESSED)

LT/LP3.5R & LT/LP3.5RT

1. Base Model

LP3.5R	Recessed - Trimless
LP3.5RT	Recessed - with Trim

2. Run Length/Size

Enter length in mm for custom lengths.
See **Standard Lengths and Shapes** PDF for standard products.

3. Lamping

LOW - **xxxx**K (example: LOW-4000K)

MED - **xxxx**K (example: MED-4000K)

HI - **xxxx**K (example: HI-4000K)

CV - **xxxx**K

STD - TW

HI - TW

STD - RGBW - **xxxx**K

HI - RGBW - **xxxx**K

4. Driver

1-10V	1-10V dimming
DALI	DALI dimming
DMX	DMX dimming
NONDIM	Non-dimmable

5. Finish

AL	Standard, natural aluminium
BK	Black powdercoat
WH	White powdercoat
RAL/ ____	Specify RAL powdercoat (ex: #RAL/3003)
BRONZE	Bronze powdercoat

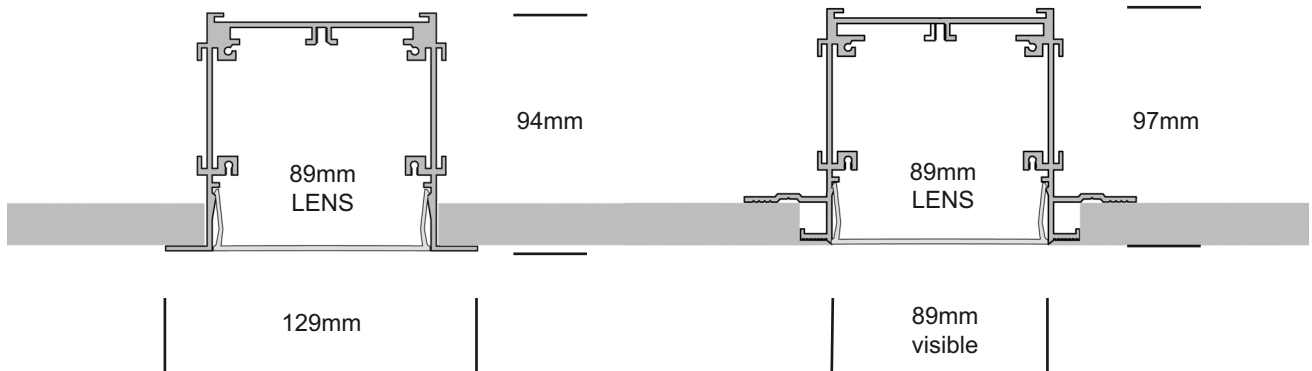
6. Additional options

EM	3 hour Emergency Kit
DALIEM	3 hour DALI Emergency Driver/Battery
DALIEMPRO	3 hour DALI EMPRO Emergency Driver/Battery
PIR-A	PIR Absence Detector
PIR-P	PIR Presence Detector
DALIPIR	DALI PIR Sensor
OTHER	Contact Factory

LITEPLAIN (RECESSED)

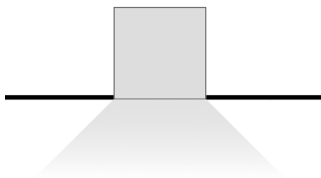
LT/LP3.5R & LT/LP3.5RT

Dimensions



Mounting Options

LP3.5R & LP3.5RT
Recessed



LITEPLAIN (RECESSED)

LT/LP3.5R & LT/LP3.5RT

Housing

100% recyclable, extruded architectural grade T6061 aluminium

Emergency

Luminaires can be wired for emergency circuit and/or emergency battery backup. Consult factory for options.

Options

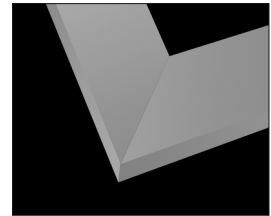
Mitered Corners

Consult factory for mitered corner angle options.

Finish

Standard finish is "Ultimate" aluminium - a smooth, clean and durable finish achieved from a deep-etch and two step clear anodizing process.

White, Black, Bronze or custom RAL powdercoat options are also available.



Mitered Corners



WH - WHITE



AL - ALUMINIUM



RAL/___

Default canopy finish is to match fitting color, unless otherwise specified



BK - BLACK



BRONZE