



## Introduction to Le'Fremlezz range

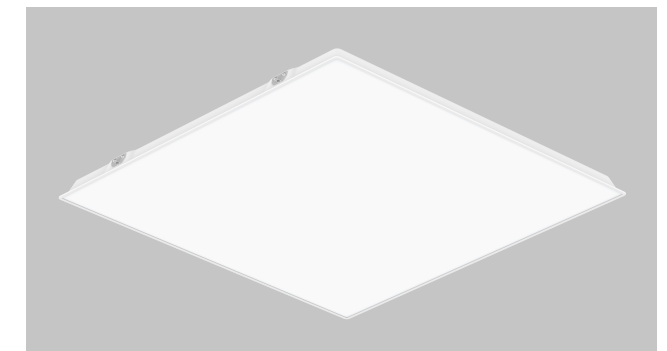
This backlit panel is a patented frameless design with larger illuminated area, direct lighting makes full use of all light & the optical lens provides a uniform light output. The lamps are directly provided with pendants, which is convenient for installation.

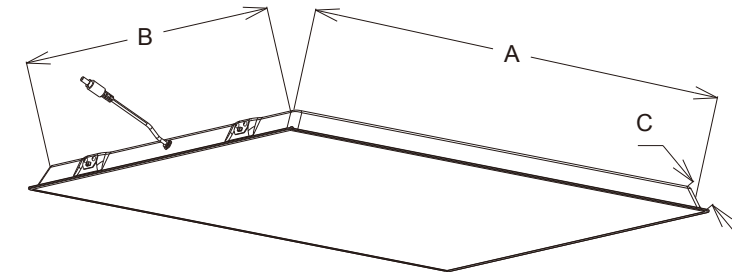
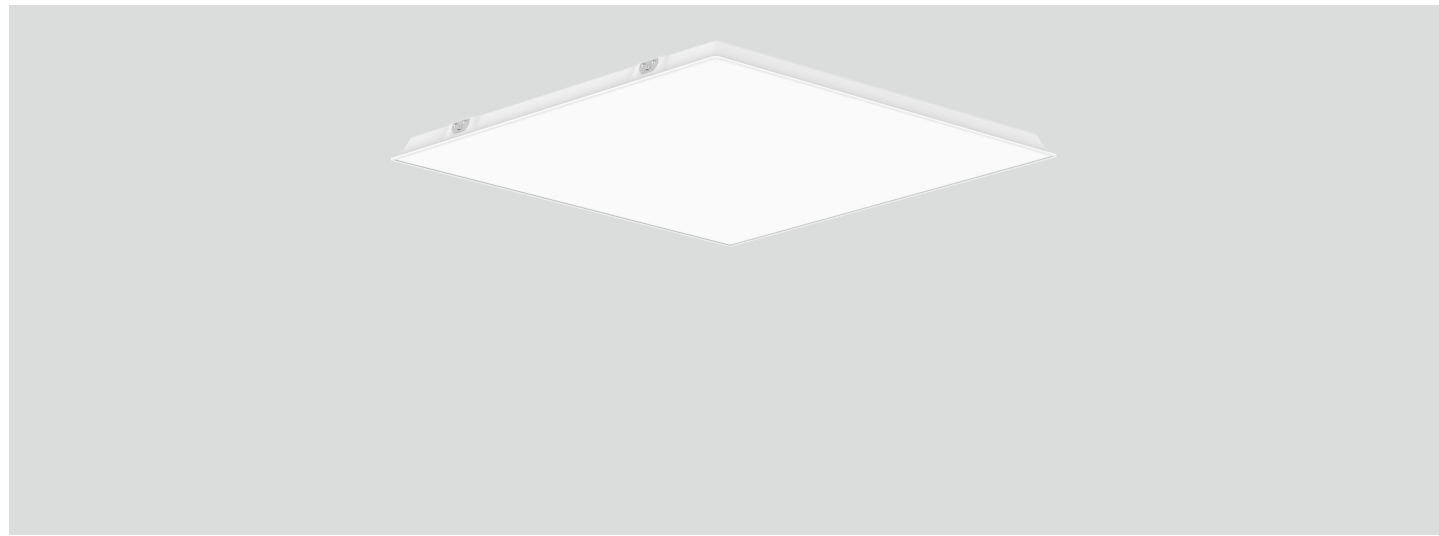
### Technical bits you need to know -

- Frameless design with 28mm thickness.
- High lumen efficiency 130lm/W.
- Beam angle 120°.
- IP40 for indoor use only.
- Triac/0-10V/Dali dimming.
- External flicker free driver.
- Installation: Surface mount, Pendant, Recessed.

## Application Areas

Office Lighting, meeting room, class room, library, Waiting rooms, Reception spaces etc.  
 Commercial Lighting: Shopping mall, supermarket, hotel etc:  
 Hospital, canteen, theater, bank, subway station etc.





## Technical Data Sheet

Code No.	LT6060-25W-CK2	LT6262-25W-CK2	LT30120-25W-CK2	LT6060-28W-CK2	LT6262-28W-CK2	LT30120-28W-CK2
Dimension(mm)	595*595*28	620*620*28	295*1195*28	595*595*28	620*620*28	295*1195*28
Cutout (mm)	-					
Watt(W)	25W			28W		
Rated Input Voltage(V)	AC230V					
Input Voltage(V)	AC220-240V					
LED Module Input	33-38V DC 650mA CC			33-38V DC 750mA CC		
Light Source	SMD					
SDCM	<6					
CCT(K)	1-CCT: 3000K/4000K/5000K/5700K    3-CCT: 3000K + 4000K + 5700K					
CCT Selection DIP Switch	Yes					
Luminous Flux (lm) ±5%	Non-DIM	1-CCT	3090-3400		3450-3820	
			3090-3400		3450-3820	
	DIM	3-CCT	3000-3370		3360-3780	
			2950-3250		3300-3650	
CRI	≥80					
Beam Angle (°)	120°					
UGR	-					
LED Driver	Built-out					
Dimming Option	Triac/ DALI/ 0-10V					
Sensor	-					
Emergency Kits	-					
Electrical Class	Class II					
Ingress Protection (IP Rating)	IP40					
Impact Resistance (IK Rating)	-					
Product Finishing(Base)	White RAL 9016					
Materials of Optics	PMMA(Lens)+PS(Diffuser)					
Materials of Housing	Fe(Frame)					
Lifetime (hr)	50,000h					
Glow wire test (°C)	650°C					
Operating Temp. (°C)	-10°C ~40°C					
Storage Temp. (°C)	-20°C ~50°C					
Installation	Surface mount/ Pendant/ Recessed					

## Measurement

Code	Dimension(mm)			Size(mm)	Product Weight (Kg)		Package weight (Kg)		Carton Size(cm)	Qty/CTN	20GP (pcs)	40HQ (pcs)
	A	B	C		N.W/PC	G.W/PC	N.W/CTN	G.W/CTN				
6060	595	595	28	595*595*28	1.5	2.0	7.5	10.8	69.5*29*67.5(1PCS/inner box)	5	945	2220
						3.5	9.0	11.5	69.5*30*67.5(2PCS/inner box)	6	1116	2592
6262	620	620	28	620*620*28	1.82	2.26	9.1	12.4	72*29*70(1PCS/inner box)	5	885	2070
						4.12	10.9	13.6	72*30*70(2PCS/inner box)	6	1062	2448
30120	1195	295	28	1195*295*28	1.76	2.27	8.8	12.6	129.5*29*37.5(1PCS/inner box)	5	930	2280
						4.01	8.8	13.4	129.5*30*37.5(2PCS/inner box)	6	1116	2664

## Driver Datasheet (Non-Dimmable)

Total load wattage		25W	28W
Output	Output Voltage range	DC30-40V	
	Rated output current	650mA	750mA
	Line Regulation	±5%	
	Setup, Rise Time	≤1S	
Input	Flickering Index	≤5%	
	Input Voltage	AC220-240V	
	Rated Input Voltage(V)	AC230V	
	Frequency	50/60Hz	
	Input Current	≤0.139A	≤0.156A
	Rated Input Current	≤0.132A	≤0.149A
	Power Factor	≥0.9	
	THD	<20% @230V	
	Efficiency	≥88%	≥88%
	No load wattage	<0.5W	
Protection	Short circuit protection	Pass	
	Over voltage protection	Pass	
	Over temperature protection	Pass	
Safety & EMC	Withstand voltage	I/P-O/P:3.75KVac, <5mA 60S; I/P-FG:1.6KVac, <5mA 60S; O/P-FG:0.5KVac, <5mA 60S	
	Isolation Resistance	I/P-O/P: 500VDC, ≥100M Ω	
	Surge	IEC/EN61000-4-5 (P<25W; L-N:500V, L/N-PE:1KV); IEC/EN61000-4-5 (P≥25w L-N:1KV, L/N-PE:2KV)	
	EMC Emission	EN55015, EN61000-3-2	
EMC Immunity	EN61000-4-2,3,4,5,6,8,11; EN61547		



# Driver Datasheet (Triac Dimmable)

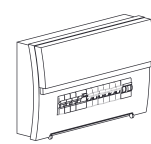
Total load wattage		25W	28W
Output	Output Voltage range	DC30-40V	
	Rated output current	650mA	750mA
	Line Regulation	±5%	
	Setup, Rise Time	≤1S	
	Flickering Index	≤5%	
Input	Input Voltage	AC220-240V	
	Rated Input Voltage(V)	AC230V	
	Frequency	50Hz	
	Input Current	≤0.39A	≤0.156A
	Rated Input Current	≤0.132A	≤0.149A
	Power Factor	≥0.9	
	THD	<20% @230V	
	Efficiency	≥85%	≥85%
	No load wattage	<1W	
Protection	Short circuit protection	Pass	
	Over voltage protection	Pass	
	Over temperature protection	Pass	
Safety &EMC	Withstand voltage	I/P-O/P:3.75KVac,<5mA 60S; I/P-FG:1.6KVac,<5mA 60S; O/P-FG:0.5KVac,<5mA 60S	
	Isolation Resistance	I/P-O/P: 500VDC, ≥100M Ω	
	Surge	IEC/EN61000-4-5( P<25W; L-N:500V, L/N-PE:1KV); IEC/EN61000-4-5 (P≥25w L-N:1KV, L/N-PE:2KV)	
	EMC Emission	EN55015, EN61000-3-2	
	EMC Immunity	EN61000-4-2,3,4,5,6,8,11; EN61547	

## Installation Procedure

### WARNING ⚡

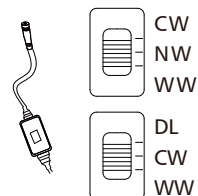
1. Switch off before installation.
2. Switch on only after complete installation and examination of the circuit.
3. Professional electrician for installation and maintenance only.

Turn Off power supply before starting any installation. Read instructions & check you have all the tools & accessories to complete the installation correctly.

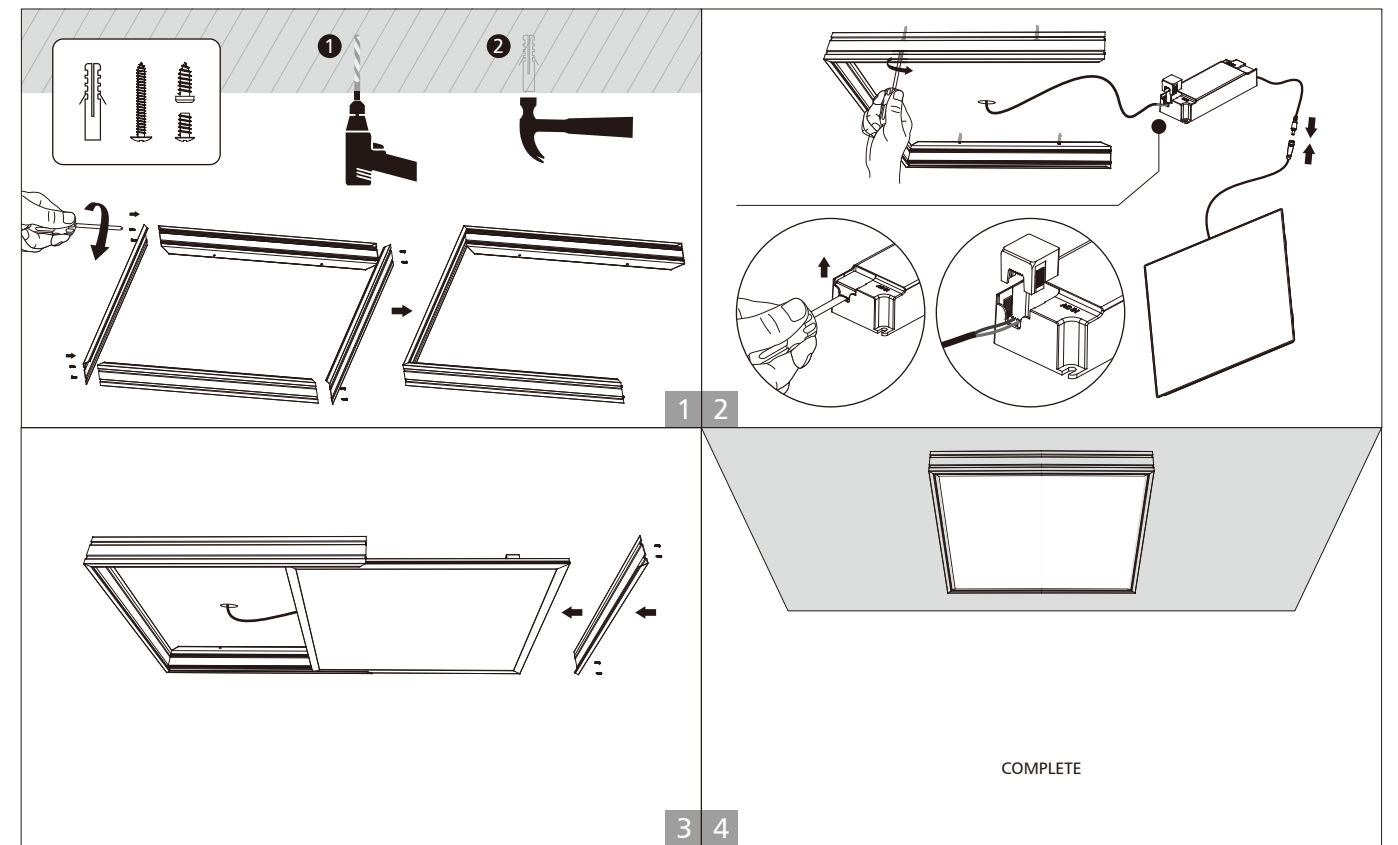


For color changeable model (controlled by Slide Switch), please select light color before installation, see below picture.

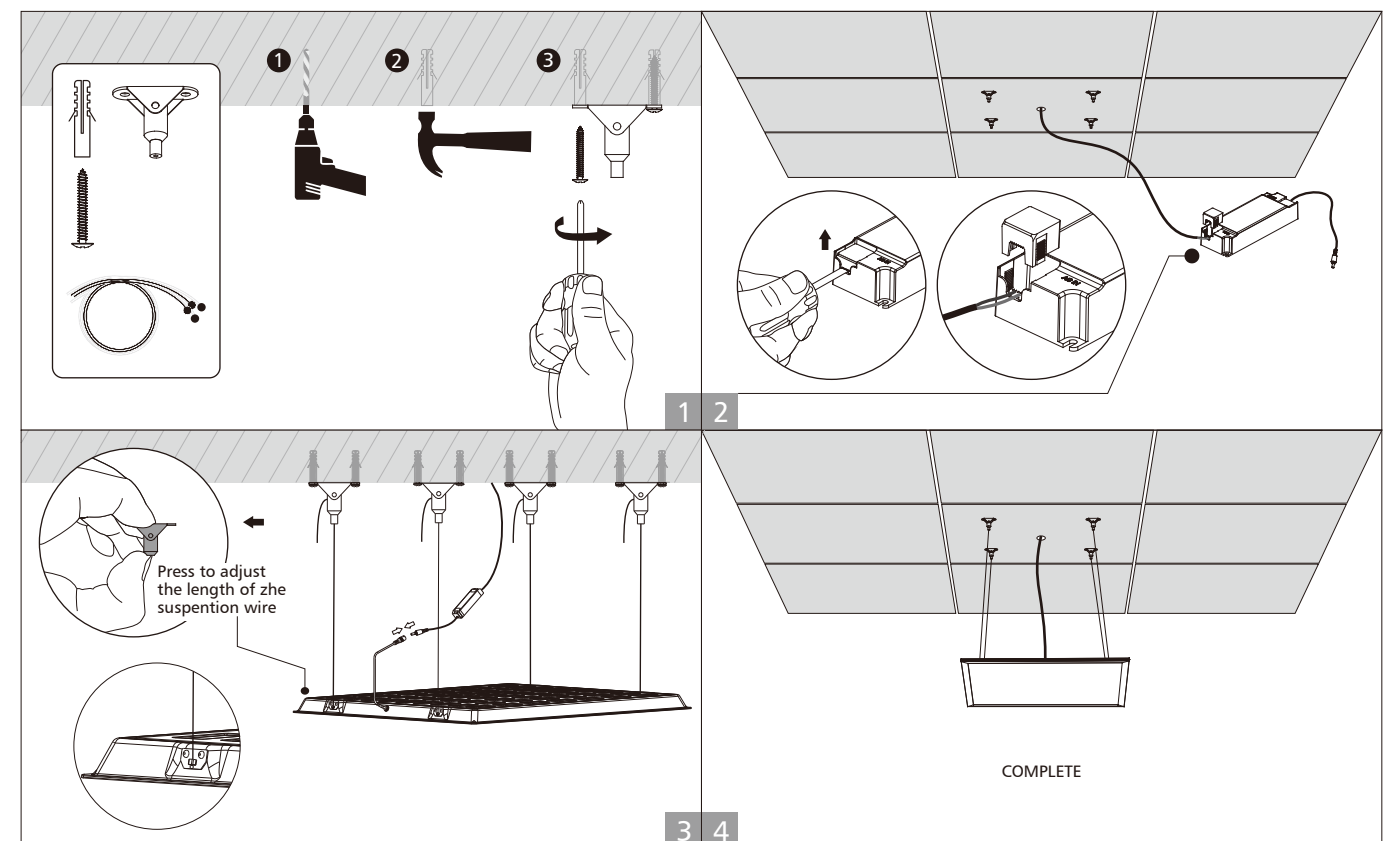
choose color by slide switch with corresponding color temperature.



## Surface mount



## Pendant



Recessed

