



## Introduction to the 'Squared' Downlight range -

LT197 LED range comes with a traditional deep reflector that provides perfect combination of high lighting efficiency, comfortable lighting and humanization design, without compromising on lighting performance ( color rendering and color uniformity). CCT changeable function is available. It offers a wide choice of options for creating the desired ambiance.

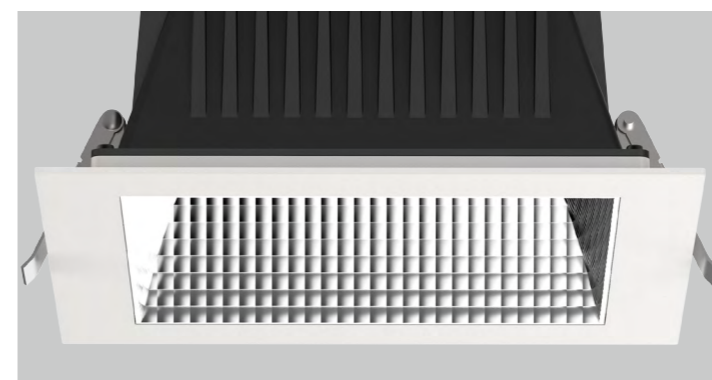
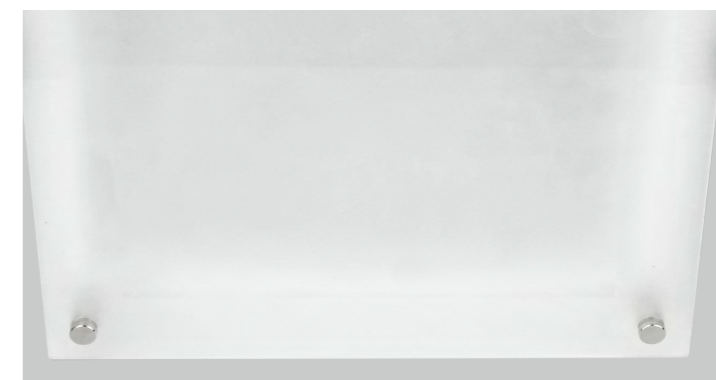
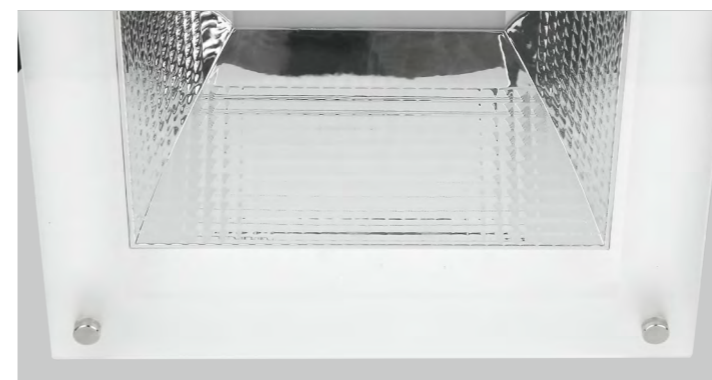
Besides, it has decorative frosted glass ring and frosted glass cover options which provide a softer light output and back light effect. The decorative glass ring or frame are very easy to disassemble. In contrast, the light effect of the glass cover will be lower than standard cover.

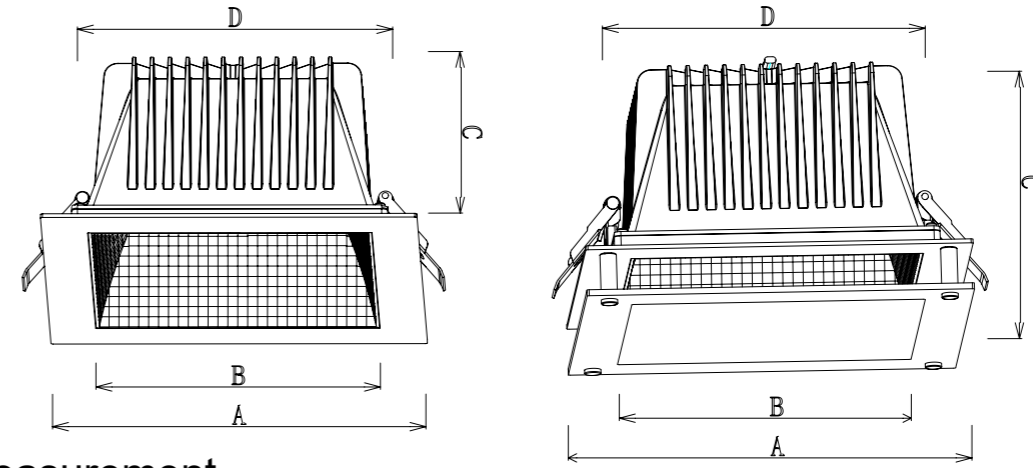
## Features

- Deep reflector design with anti-glare effect
- Die-casting housing provides excellent heat dissipation performance
- Interchangeable CCT(3000K/4000K/5700K) with slide switch
- IP44 waterproof for indoor use only
- Triac/0-10v/Dali dimming
- External driver
- It has a back light effect.
- Different design drop glass as option.
- Easily disassemble.

## Application Areas

It is suitable for supermarket, specialty store, show window, exhibition hall, etc.





## Technical Data Sheet

Model No.	LT197-6-18W	LT197-6-22W	LT197-6-25W	LT197-6-32W	LT197-6-18W	LT197-6-22W	LT197-6-25W	LT197-6-32W		
Dimension(mm)	190*190*102mm				190x190x127(Drop glass )					
Cutout (mm)	170*170mm									
Watt(W)	18W	22W	25W	32W	18W	22W	25W	32W		
Rated Input Voltage(V)	AC230V									
Input Voltage(V)	AC220-240V									
LED Module Input	DC33-38V									
Light Source	SMD									
SDCM	<6									
CCT(K)	1-CCT: 3000K/4000K/5000K/5700K    3-CCT: 3000K + 4000K + 5700K									
CCT Selection DIP Switch	YES									
Luminous Flux (lm) ±5%	Non-DIM	1-CCT	1600~1750	1930~2070	2200~2350	2780~2910	1350~1400	1836~1869	2080~2165	2754-2833
			1550~1700	1900~2040	2150~2300	2730~2860	1330~1380	1820~1850	2075~2155	2750-2825
	DIM	3-CCT	1620~1760	1930~2120	2200~2420	2750~3070	1370~1390	1830~1860	2070~2120	2725-2800
			1580~1720	1900~2080	2150~2370	2700~3020	1330~1380	1820~1845	2070~2135	2710-2790
CRI	>80									
Beam Angle (°)	60°									
UGR	<19	<20	<19	<20	<19	<20	<19	<20		
LED Driver	Built-out									
Dimming Option	Triac / DALI / 0-10V									
Sensor	-									
Emergency Kits	-									
Electrical Class	Class II									
Ingress Protection (IP Rating)	IP40(for other part) / IP44(only for the LED cover)									
Impact Resistance (IK Rating)	IK06									
Product Finishing(Base)	White RAL 9016/Black RAL9005									
Materials of Optics	PMMA									
Materials of Housing	Aluminium /PC+ABS									
Lifetime (hr)	50,000h									
Glow wire test (°C)	650°C									
Operating Temp. (°C)	-20°C ~45°C									
Storage Temp. (°C)	-20°C ~65°C									
Installation	Recessed									

## Measurement

Code	Dimension(mm)				Size(mm)	Product Weight (Kg)		Package weight (Kg)		Carton Size(cm)	Qty/CTN	20GP (pcs)	40HQ (pcs)
	A	B	C	D		N.W/PC	G.W/PC	N.W/CTN	G.W/CTN				
6"	190	140	102	170	190*190*102	1.02	1.3	8.2	11.5	47*44*25	8PCS	4536	10080
6"+Glass	190	144	127	170	190x190x127	1.73	1.868	11.2	11.89	49x25x46	6pcs	3090	7080

## Driver Datasheet (Non-Dimmable)

Total load wattage		18W	22W	25W	32W
Output	Output Voltage range	DC28-40V			
	Rated output current	460mA	550mA	600mA	850mA
	Line Regulation	±5%			
	Setup, Rise Time	0.5S			
Input	Flickering Index	<10%			
	Input Voltage	AC220-240V			
	Rated Input Voltage(V)	AC230V			
	Frequency	50/60Hz			
	Input Current	≤0.11A	≤0.12A	≤0.13A	≤0.18A
	Rated Input Current	0.09A	0.11A	0.12A	0.15A
	Power Factor	0.9			
	THD	<20% @230V			
	Efficiency	≥78%	≥80%	≥82%	≥82%
	No load wattage	<1W			
Protection	Short circuit protection	Pass			
	Over voltage protection	Pass			
	Over temperature protection	Pass			
Safety & EMC	Withstand voltage	I/P-O/P:3.75KVvac, <5mA 60S;P-FG:1.6KVvac, <5mA 60S;O/P-FG:0.5KVvac, <5mA 60S			
	Isolation Resistance	I/P-O/P: 500VDC, ≥100M Ω (Lamp test)			
	Surge	LN:0.5KV/LN-PG1KV		IEC61000-4-5(L-N:1KV, L/N-PG:2KV)	
	EMC Emission	EN55015, EN61000-3-2			
EMC Immunity	EN61000-4-2,3,4,5,6,8,11; EN61547				

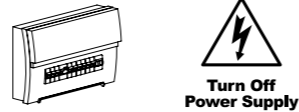
# Driver Datasheet (Triac Dimmable)

Total load wattage		18W	22W	25W	32W
Output	Output Voltage range	DC23-40V			
	Rated output current	430mA	550mA	600mA	800mA
	Line Regulation	±5%			
	Setup, Rise Time	<1S			
	Flickering Index	-			
Input	Input Voltage	AC200-240V			
	Rated Input Voltage(V)	AC230V			
	Frequency	50Hz			
	Input Current	≤0.1A	≤0.13A	≤0.14A	≤0.18A
	Rated Input Current	0.09A	0.11A	0.13A	0.16A
	Power Factor	0.9			
	THD	<20% @230V			
	Efficiency	≥85%			
	No load wattage	<1W			
Protection	Short circuit protection	Pass			
	Over voltage protection	Pass			
	Over temperature protection	Pass			
Safety & EMC	Withstand voltage	I/P-O/P: 3.75kVac, <5mA 60S			
	Isolation Resistance	I/P-O/P: 500VDC, ≥100M Ω (Lamp test)			
	Surge	IEC61000-4-5(L-N:0.5KV)		IEC61000-4-5(L-N:1KV)	
	EMC Emission	EN55015, EN61000-3-2			
	EMC Immunity	EN61000-4-2,3,4,5,6,8,11; EN61547			

## Installation Procedure

### WARNING ⚡

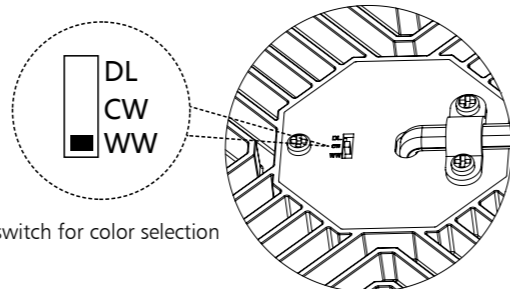
1. Switch off before installation / maintenance.
2. Switch on only after complete installation and examination of the circuit.
3. Professional electrician for installation and maintenance only.



Turn Off power supply before starting any installation. Read instructions & check you have all the tools & accessories to complete the installation correctly.

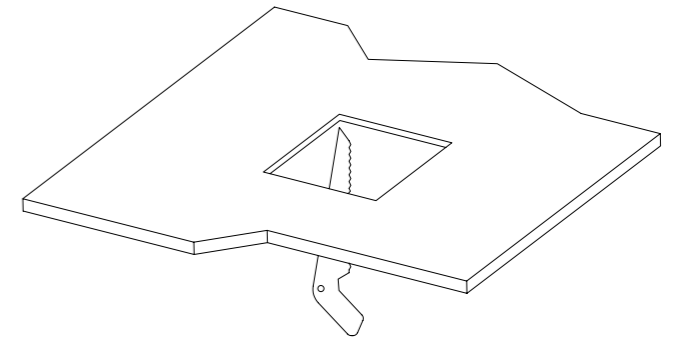
### Installation

For the product with Slide Switch of Color Selection, please select the light color (DL/CW/WW) before installation.



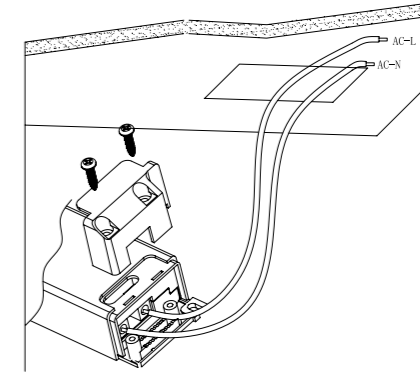
Slide switch for color selection

### Step 1



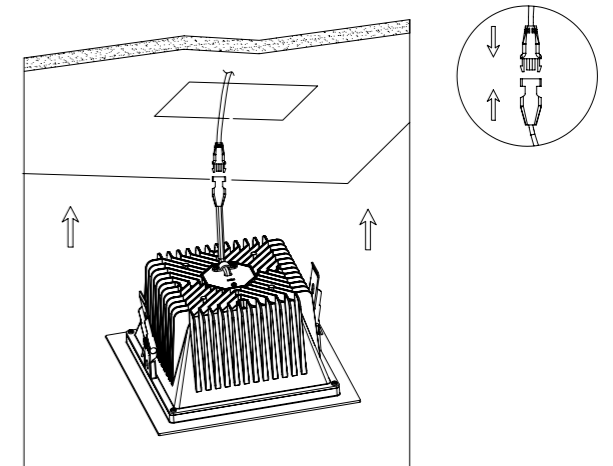
Open a hole according to the cutout size of the LED downlight.

### Step 2



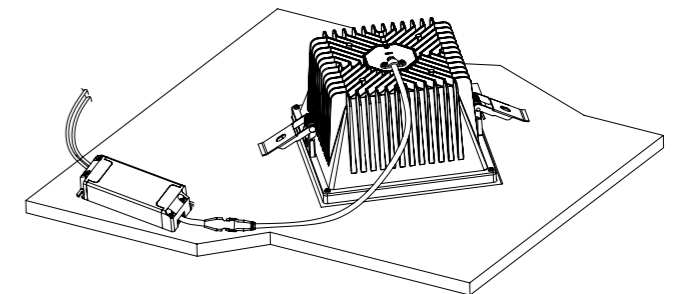
Use a screwdriver to open the driver terminal cover, feed the main AC wires L and N into the terminal block respectively, then fix the cover back.

### Step 3



Connect the downlight to the driver, hold back the spring clips, then push the downlight into the hole.

### Step 4



Connect the downlight to the driver, hold back the spring clip, then push the downlight into the hole.