



Introduction to the 'Inferno' range of luminaires

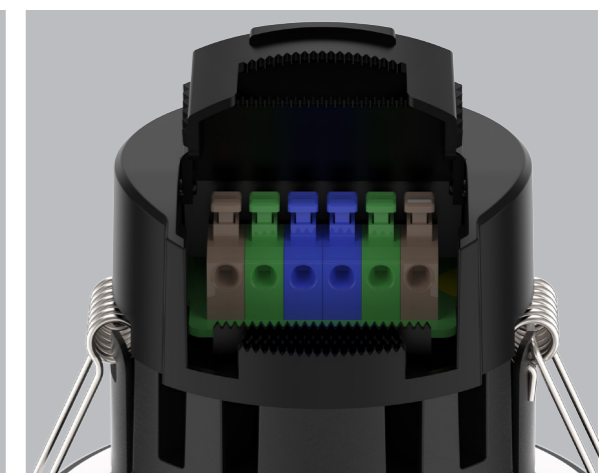
This lamp adopts fireproof bracket and aluminium heat sink, which not only meets the fireproof structure demand but also offers a good heat dissipation performance. It adopts high lumen SMD light source and optic lens with uniform light output. Four cover options: white, black, silver and nickel brushed. What's more, the cover is fixed by magnetic design, and it has a hidden slide switch for CCT, convenient for CCT change and cover change.

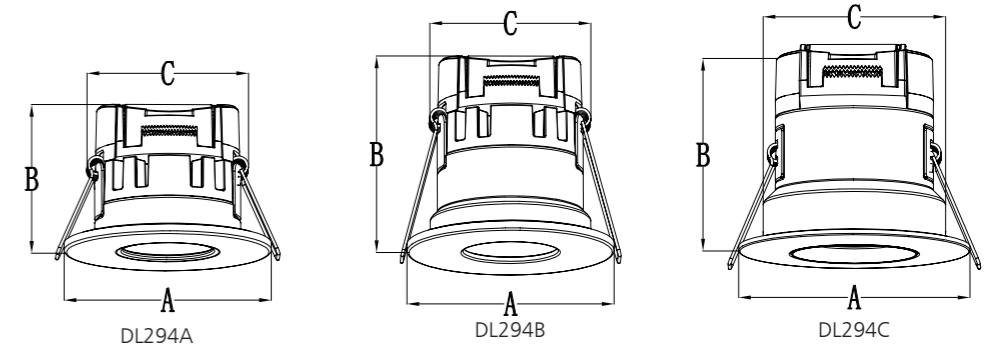
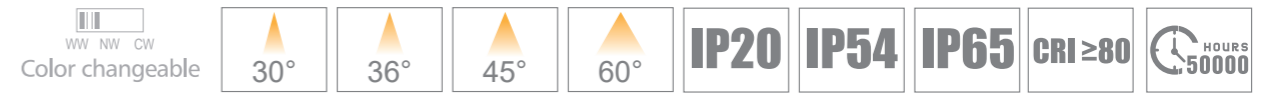
Features

- Group design: Type A slim body, Type B deep design with anti-glare effect, Type C Gyro 360degree.
- Fireproof: 30Min/60Min/90Min.
- IP65 in front part.
- Type A & Type B with replaceable cover by magnetic design.
- Front slide switch (Type A&B), back slide switch (Type C) for interchangeable CCT.
- Flicker free driver with a 6 bit quick connector inside, screwless cord grip design.
- IC approved, can be covered directly under insulation material.
- Triac dimming.

Application Areas

It is designed for general lighting applications in supermarket, shop, hotel, home etc.





Measurement

Code	Dimension(mm)			Size(mm)	Product Weight (Kg)		Package weight (Kg)		Carton Size(cm)	Qty/CTN	20GP (pcs)	40HQ (pcs)
	A	B	C		N.W/PC	G.W/PC	N.W/CTN	G.W/CTN				
DL294A-2.5"	85	60	66	Ø85*61	0.2	0.236	8.49	9.1	43*33*29	36PCS	25920	61560
DL294B-2.5"	85	80	66	Ø85*81	0.23	0.266	9.57	10.18	43*33*29	36PCS	25920	61560
DL294C-2.5"	95	82	75	Ø95*82	0.325	0.34	14.4	15.24	52*39.5*30.5	36PCS	15840	37440

Technical Data Sheet

Code No.	LT294A-2.5-6W	LT294B-2.5-6W	LT294C-2.5-6W
Dimension(mm)	Ø85*60	Ø85*80	Ø95*82
Cutout (mm)	Ø68-75		Ø78-85
Watt(W)	6W		
Rated Input Voltage(V)	AC230V		
Input Voltage(V)	AC200-240V		
LED Module Input	-		
Light Source	2835 SMD		
SDCM	≤6		
CCT(K)	1-CCT: 2700K/3000K/4000K/5000K/5700K 3-CCT: 3000K + 4000K + 5700K/2700K+3150K+4000K		
CCT Selection DIP Switch	YES		
Luminous Flux (lm) ±5%	Non-DIM DIM	1-CCT	-
	Non-DIM DIM	3-CCT	-
CRI	≥80		
Beam Angle (°)	36° / 60°	30° / 60°	36° / 60°(1-CCT) 45° / 60°(3-CCT)
UGR	<19(30°) / <22(60°) (Black)		
LED Driver	Built-in		
Dimming Option	Triac		
Sensor	NO		
Emergency Kits	NO		
Electrical Class	Class I		Class II
Ingress Protection (IP Rating)	IP65(Below Ceiling) IP20(Inside Ceiling)		IP54(Below Ceiling) IP20(Inside Ceiling)
Impact Resistance (IK Rating)	-		
Product Finishing(Base)	Black RAL 9005		
Materials of Optics	PC		
Materials of Housing	Aluminum /SPCC/PC		
Lifetime (hr)	50,000h		
Glow wire test (°C)	850°C		
Operating Temp. (°C)	-20°C ~40°C		
Storage Temp. (°C)	-20°C ~65°C		
Installation	Recessed		

Driver Datasheet (Triac Dimmable)(A/B)

Total load wattage		6W
Output	Output Voltage range	DC48-60V
	Rated output current	95mA
	Line Regulation	±5%
	Setup, Rise Time	<0.5S
	Flickering Index	Pst LM≤1.0, SVM≤0.4
	Input	Input Voltage
Rated Input Voltage(V)		AC230V
Frequency		50Hz
Input Current		<0.05A
Rated Input Current		0.03A
Power Factor		0.85
THD		<40%
Efficiency		>80%
No load wattage		<0.5W
Protection	Short circuit protection	Pass
	Over voltage protection	Pass
	Over temperature protection	Pass
Safety & EMC	Withstand voltage	O/P-FG:0.5KVac, <5mA 60S
	Isolation Resistance	I/P-O/P: 500VDC, ≥100M Ω
	Surge	IEC/EN61000-4-5(P<25W; L-N:500V,L/N-PG:1000V)
	EMC Emission	EN55015, EN61000-3-2
EMC Immunity	EN61000-4-2,3,4,5,6,8,11; EN61547	

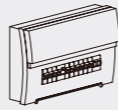
Driver Datasheet (Triac Dimmable)(C)

Total load wattage		6W
Output	Output Voltage range	DC23-40V
	Rated output current	140mA
	Line Regulation	±5%
	Setup, Rise Time	<0.5S
	Flickering Index	<5%(LOW RISK)
Input	Input Voltage	AC200-240V
	Rated Input Voltage(V)	AC230V
	Frequency	50Hz
	Input Current	<0.04A
	Rated Input Current	<0.03A
	Power Factor	0.85
	THD	-
	Efficiency	>75%
	No load wattage	<0.7W
Protection	Short circuit protection	Pass
	Over voltage protection	Pass
	Over temperature protection	Pass
Safety &EMC	Withstand voltage	O/P-FG:0.5KVac, <5mA 60S
	Isolation Resistance	I/P-O/P: 500VDC, ≥100M Ω
	Surge	IEC/EN61000-4-5(P<25W; L-N:500V,)
	EMC Emission	EN55015, EN61000-3-2
	EMC Immunity	EN61000-4-2,3,4,5,6,8,11; EN61547

Installation Procedure

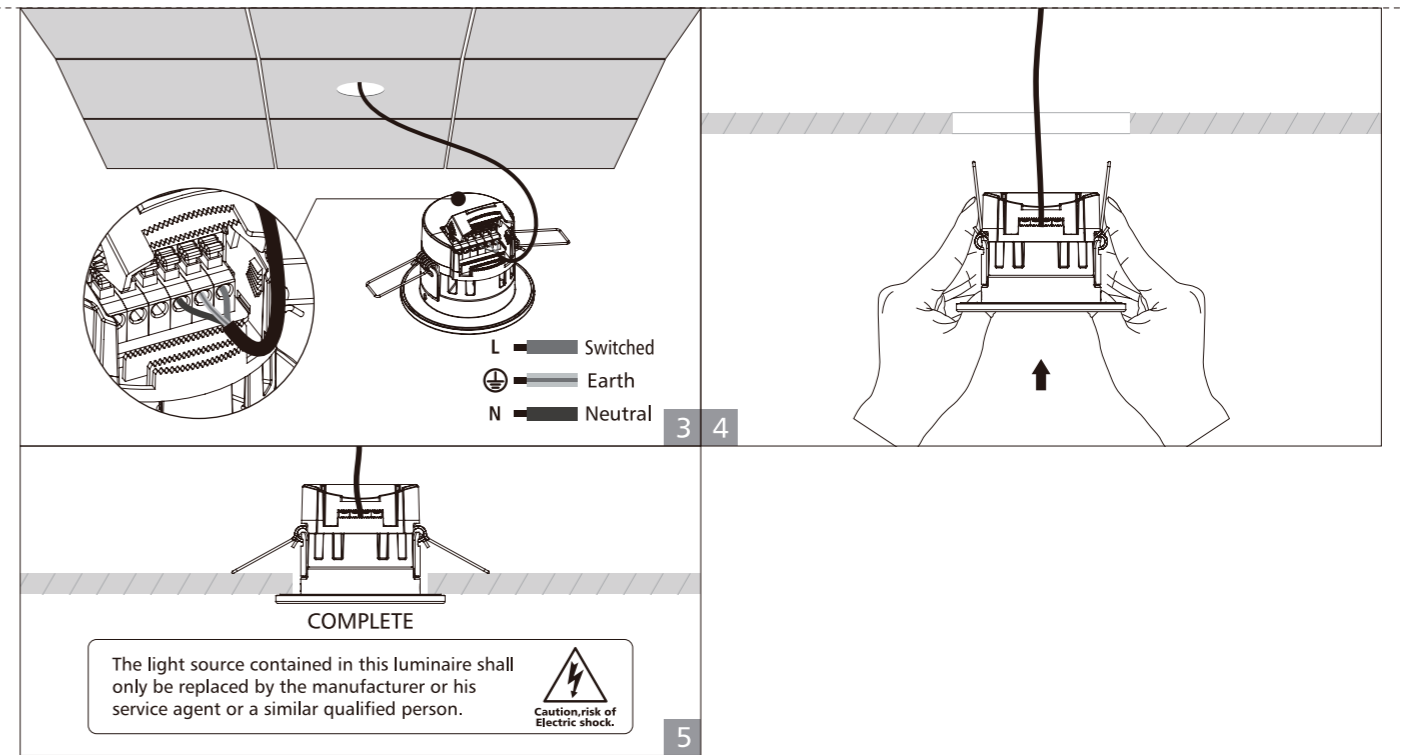
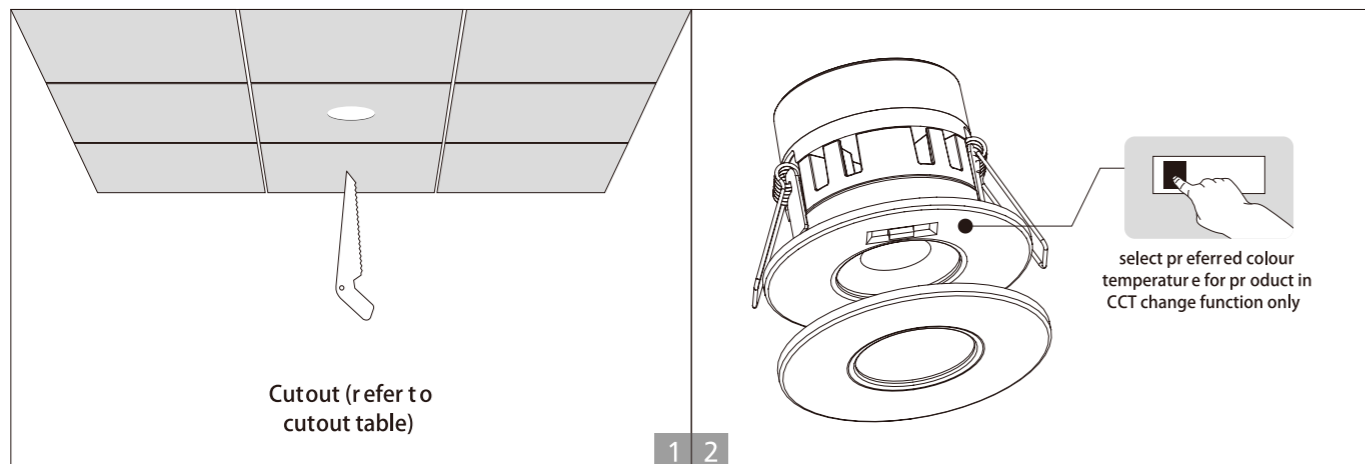
WARNING

1. Switch off power supply before installation / maintenance.
2. Switch on only after complete installation and examination of the circuit.
3. Professional electrician for installation and maintenance only.
4. Input wire diameter $\geq 0.75\text{mm}^2$;
5. Product modification and improper installation are not valid for warranty!
6. Light source of the luminaire is non-user-replaceable, if it is damaged, the luminaire shall be destroyed.
7. Warning-risk of overheating or fire if the clearance distances are compromised!



CAUTION
Risk of electric shock

Downlight with internal driver(A/B)



Downlight with internal driver(C)

