

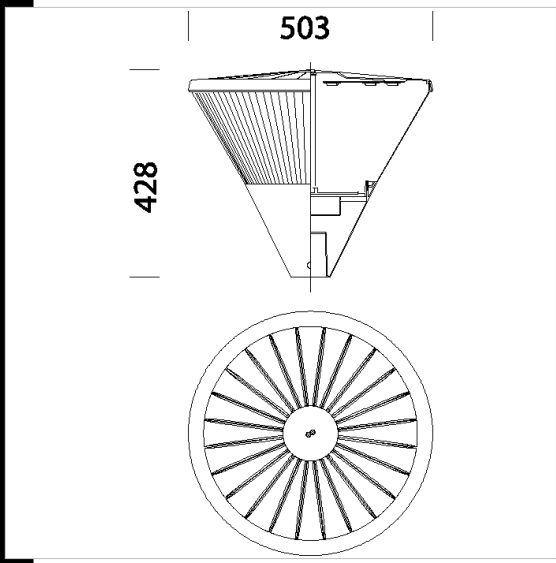


1205 Polar - LED

Housing: In die-cast aluminium.
 Cap: In turned aluminium
 Diffuser: In vandal-resistant, V2 self-extinguishing polycarbonate, UV stabilised. Smooth and clear both inside and outside. The diffuser houses a louvre to direct the light beam downwards.
 Painting: the standard liquid immersion coating consists of a first metal surface pre-treatment stage, a successive epoxy cataphoresis corrosion and salt resistant coating, and a final layer of bi-component acrylic liquid UV-stabilised coating.
 Standard supply: temperature control device inside the lamp with automatic recovery.
 Mounting: On pole Ø 60 mm or arm.
 Regulations: Produced according to applicable EN60598-1 CEI 34-21 standards, IP65IK08 degree of protection according to EN 60529 standards. Isulation class II
 The total return of the equipment is close to 100%. Ta-20+40°C life 80%: >100.000h (L80B10). Photobiological safety class: exempt group EN62471.
BASIC PROG (BASIC CLD) AVAILABLE FUNCTIONS
 Luminous flux setup: This can be done by programming the drive current values requested when ordering/purchasing the fixture.

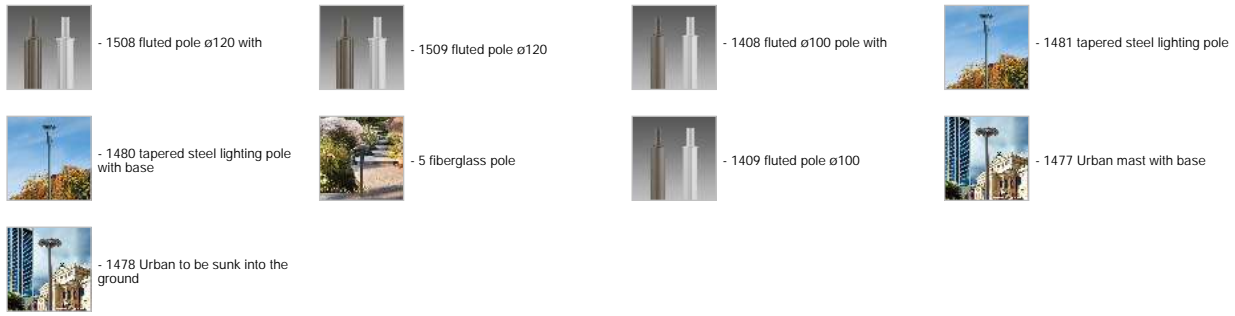
Download
 DXF 2D
 - 1205.dxf
 3DS
 - disano_1205_polar.3ds
 3DM
 - disano_1205_polar.3dm
 Montaggi
 - polar clima 07-20.pdf
 BIM
 - 1205 Polar - LED - 20200604.zip

Upon request:
 - Coating compliant with UNI EN ISO 9227 Corrosion tests in artificial atmospheres for aggressive environments.
 - with power supply 1-10 V dimmable with subcode 12.
 - with virtual midnight subcode 30.
 - power line carrier remote control systems subcode 0078.



| Code | Gear | Kg | Lumen Output-K-CRI | WTot | Colour |
|-----------|------|------|-------------------------|-------|----------|
| 422140-00 | CLD | 5,64 | LED-8656lm-4000K-CRI 70 | 102 W | GREY9007 |
| 422141-00 | CLD | 5,60 | LED-8656lm-4000K-CRI 70 | 102 W | GRAPHITE |

Poll



The reported luminous flux is the flux emitted by the light source with a tolerance of ± 10% compared to the indicated value. The W tot column indicates the total wattage absorbed by the system without exceeding 10% of the indicated