

2150 Radon HE - asymmetric 1 MODULE

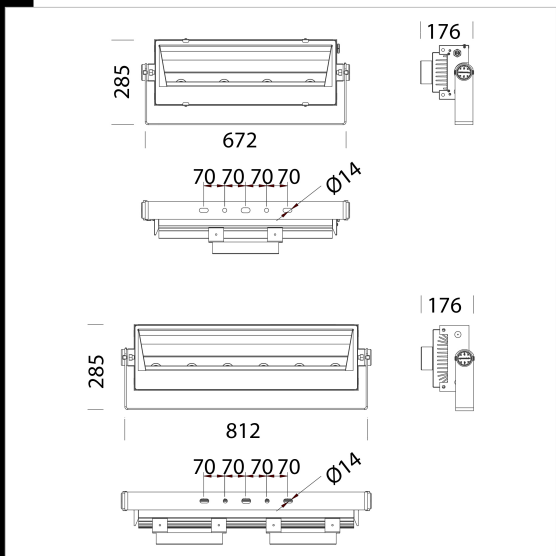
Housing: in extruded aluminium with terminal ends in die-cast aluminium.  
 Reflector: in matt aluminium, high efficiency and anti-glare.  
 Diffuser: 4 mm thick temperate glass resistant to thermal shock and impacts (UNI EN 12150-1:2001).  
 Coating: the standard powder coating consists of a first metal surface pre-treatment stage of UV-stabilised, corrosion and salt resistant polyester powder coating  
 Equipment: complete with galvanised and coated bracket. Silicone rubber gasket; external screws and bolts in stainless steel; air recirculation valve. Airtight connector for quick installation with no need to open the fixture.  
 Wiring: 220-240V 50/60Hz power supply; with IP66 driver applied to the fixture. Electronic safety device to protect the LED module and the related ballast compliant with EN 61547.  
 It works in two modes:  
 - differential mode: surge between power cables and between the phase and neutral.  
 - common mode: surge between power, L/N and ground cables or between the fixture's body if it is of class II and installed on a metal pole.

On request:  
 - protection up to 10KV.  
 - Possibility of centralized lighting point control or via external presence/lighting sensors  
 - Coating compliant with UNI EN ISO 9227 Corrosion tests in artificial atmospheres for aggressive environments  
 - Version CLD D-D (DALI) wiring with subcode -0041: thanks to pre-programmed settings or a software programme, this type of wiring allows accurate light emission dimming.

LED: Luminous flux maintenance 80%: 50.000h (L80B20).  
 Power factor 0.95.

Wind surface:  
 4 COB : L=915cm2 – F1437cm2  
 6 COB : L=1205cm2 – F=1752cm2

Download  
 DXF 2D  
 - 2150.dxf



Code	Gear	Kg	Lumen Output-K-CRI	WTot	Colour	Surge
413300-00	CLD	12.52	LED COB-41040lm-4000K-50°-CRI70	290 W	GRAPHITE	4/6kV
413301-00	CLD	16.94	LED COB-55230lm-4000K-50°-CRI70	380 W	GRAPHITE	4/6kV
413302-00	CLD	16.94	LED COB-60715lm-4000K-50°-CRI70	408 W	GRAPHITE	4/6kV

Accessories



-384 conveyor 4-8 COB



-384 conveyor 6 COB

The reported luminous flux is the flux emitted by the light source with a tolerance of ± 10% compared to the indicated value. The W tot column indicates the total wattage absorbed by the system without exceeding 10% of the indicated