

Download  
DXF 2D  
- 2152.dxf

2152 Radon HE - symmetric 1 MODULE

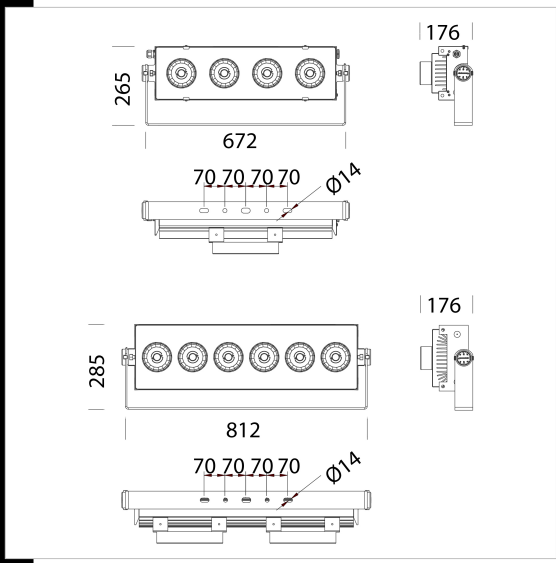


Housing: in extruded aluminium with terminal ends in die-cast aluminium.  
Reflector: in matt aluminium, high efficiency and anti-glare.  
Diffuser: 4 mm thick temperate glass resistant to thermal shock and impacts (UNI EN 12150-1:2001).  
Coating: the standard powder coating consists of a first metal surface pre-treatment stage of UV-stabilised, corrosion and salt resistant polyester powder coating  
Equipment: complete with galvanised and coated bracket. Silicone rubber gasket; external screws and bolts in stainless steel; air recirculation valve.  
Airtight connector for quick installation with no need to open the fixture.  
Wiring: 220-240V 50/60Hz power supply; with IP66 driver applied to the fixture.  
Electronic safety device to protect the LED module and the related ballast compliant with EN 61547.  
It works in two modes:  
- differential mode: surge between power cables and between the phase and neutral.  
- common mode: surge between power, L/N and ground cables or between the fixture's body if it is of class II and installed on a metal pole.

On request:  
- protection up to 10KV.  
- Possibility of centralized lighting point control or via external presence/lighting sensors  
- Coating compliant with UNI EN ISO 9227 Corrosion tests in artificial atmospheres for aggressive environments  
- Version CLD D-D (DALI) wiring with subcode -0041: thanks to pre-programmed settings or a software programme, this type of wiring allows accurate light emission dimming.

LED: Luminous flux maintenance 80%: 50.000h (L80B20).  
Power factor 0.95.

Wind surface:  
4 COB : L=915cm2 – F=1182cm2  
6 COB : L=1205cm2 – F=1752cm2



Code	Gear	Kg	Lumen Output-K-CRI	WTot	Colour	Surge
413320-00	CLD	9.93	LED COB-43660lm-4000K-20°-CRI70	290 W	GRAPHITE	4/6kV
413321-00	CLD	9.93	LED COB-43778lm-4000K-40°-CRI70	290 W	GRAPHITE	4/6kV
413322-00	CLD	9.93	LED COB-43540lm-4000K-60°-CRI70	290 W	GRAPHITE	4/6kV
413323-00	CLD	16.94	LED COB-54194lm-4000K-20°-CRI70	346 W	GRAPHITE	4/6kV
413324-00	CLD	16.94	LED COB-54304lm-4000K-40°-CRI70	346 W	GRAPHITE	4/6kV
413325-00	CLD	16.94	LED COB-54064lm-4000K-60°-CRI70	346 W	GRAPHITE	4/6kV

Accessories



The reported luminous flux is the flux emitted by the light source with a tolerance of ± 10% compared to the indicated value. The W tot column indicates the total wattage absorbed by the system without exceeding 10% of the indicated