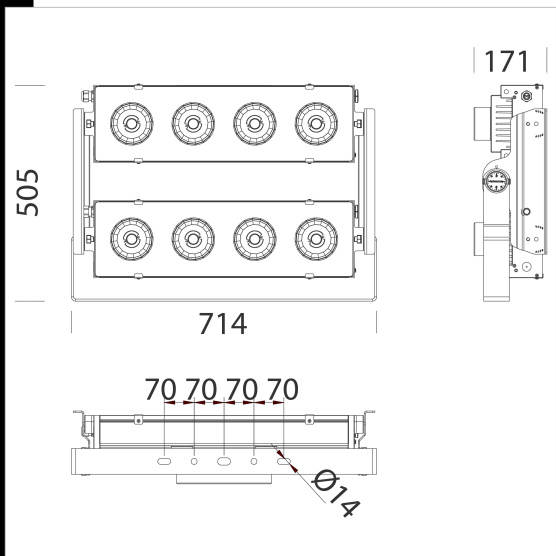


2153 Radon HE - symmetric 2 MODULES

Housing: in extruded aluminium with terminal ends in die-cast aluminium.  
 Reflector: in matt aluminium, high efficiency and anti-glare.  
 Diffuser: 4 mm thick temperate glass resistant to thermal shock and impacts (UNI EN 12150-1:2001).  
 Coating: the standard powder coating consists of a first metal surface pre-treatment stage of UV-stabilised, corrosion and salt resistant polyester powder coating  
 Equipment: complete with galvanised and coated bracket. Silicone rubber gasket; external screws and bolts in stainless steel; air recirculation valve. Airtight connector for quick installation with no need to open the fixture.  
 Wiring: 220-240V 50/60Hz power supply; with IP66 driver applied to the fixture.  
 Structure 2 LED modules : in painted steel with bracket for spotlight mounting. It also allows pointing the individual module at an angle of  $\pm 20^\circ$  to its horizontal axis (Tilting angle of  $5^\circ$ ).  
 Electronic safety device to protect the LED module and the related ballast compliant with EN 61547.  
 It works in two modes:  
 - differential mode: surge between power cables and between the phase and neutral.  
 - common mode: surge between power, L/N and ground cables or between the fixture's body if it is of class II and installed on a metal pole.

Download  
DXF 2D  
- 2153.dxf



On request:  
 - protection up to 10KV.  
 - Possibility of centralized lighting point control or via external presence/lighting sensors  
 - Coating compliant with UNI EN ISO 9227 Corrosion tests in artificial atmospheres for aggressive environments  
 - Version CLD D-D (DALI) wiring with subcode -0041: thanks to pre-programmed settings or a software programme, this type of wiring allows accurate light emission dimming.

LED: Luminous flux maintenance 80%: 50.000h (L80B20).  
 Power factor 0.95.

Wind surface: L=936cm<sup>2</sup> - F2530cm<sup>2</sup>

Code	Gear	Kg	Lumen Output-K-CRI	WTot	Colour	Surge
413330-00	CLD	25.50	LED COB-73791lm-4000K-20°-CRI70	484 W	GRAPHITE	4/6kV
413331-00	CLD	25.50	LED COB-74011lm-4000K-40°-CRI70	484 W	GRAPHITE	4/6kV
413332-00	CLD	25.50	LED COB-73451lm-4000K-60°-CRI70	484 W	GRAPHITE	4/6kV
413333-00	CLD	25.50	LED COB-85630lm-4000K-20°-CRI70	580 W	GRAPHITE	4/6kV
413334-00	CLD	25.50	LED COB-85840lm-4000K-40°-CRI70	580 W	GRAPHITE	4/6kV
413335-00	CLD	25.50	LED COB-85280lm-4000K-60°-CRI70	580 W	GRAPHITE	4/6kV

Accessories



- 384 conveyor 4-8 COB

The reported luminous flux is the flux emitted by the light source with a tolerance of  $\pm 10\%$  compared to the indicated value. The W tot column indicates the total wattage absorbed by the system without exceeding 10% of the indicated