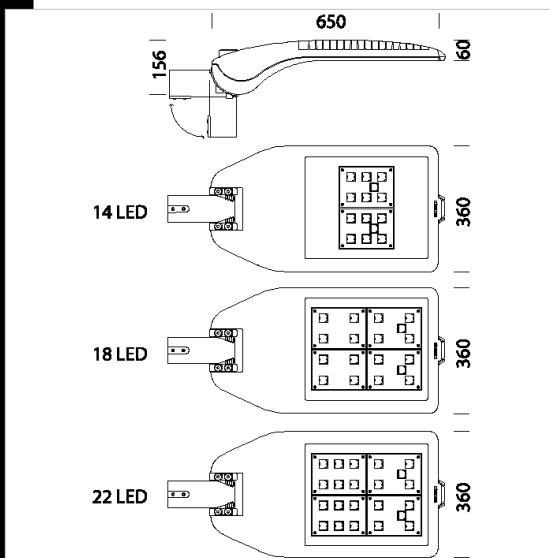


3270 Stelvio 1 - Plus - LED



Download

DXF 2D  
- 3270.dxf

3DS

- disano\_3270\_stelvio\_18led.3ds  
- disano\_3270\_stelvio\_14led.3ds  
- disano\_3270\_stelvio\_22led.3ds  
- disano\_3270\_stelvio\_28led.3ds

3DM

- disano\_3270\_stelvio\_28led.3dm  
- disano\_3270\_stelvio\_18led.3dm  
- disano\_3270\_stelvio\_22led.3dm  
- disano\_3270\_stelvio\_14led.3dm

Montaggi

- STELVIO-MINISTELVIO.pdf  
- bi-power config.pdf

BIM

- 3270 Stelvio 1 - Plus - LED - 20200224.zip

Housing and cover: in die-cast aluminium and designed with a very small surface exposed to wind. Cooling fins are integrated into the cover. Pole connection: in die-cast aluminium and with gaskets to secure the frame according to different inclinations. Adjustable ranges: between 0° and 15° for side mount; and between 0° and 10° for mast-top mounting. Inclination pace: 5°. Suited for poles with a diameter 63-60mm Diffuser: clear, tempered glass, 4 mm thick, resistant to thermal shock and impacts (UNI-EN 12150-1 : 2001) Coating: the standard powder coating consists of a first metal surface pre-treatment stage and of single layer of UV-stabilised, corrosion and salt resistant polyester powder coating. Standard supply: Automatic temperature control inside the device with automatic resetting. Electronic safety device to protect the LED module and the related ballast compliant with EN 61547. It works in two modes: - differential mode: surge between power cables and between the phase and neutral. - common mode: surge between power, L/N and ground cables or between the fixture's body if it is of class II and installed on a metal pole. Upon request: protection up to 10KV. Equipment: complete with IP67 airtight connector for mains connection. Supplied with double insulation switch that cuts off electricity when the cover is opened. Energy-saving: the possibility to choose the correct drive current for LEDs will allow you to have the right power under specific design conditions, and also help you deal with maintenance and retrofitting problems. Using a lower current will improve the efficiency of fixtures and therefore increase energy savings, whilst a higher current will result in a higher light flux so that you can reduce the number of fixtures. Optics: in PMMA, highly resistant to temperature and UV radiation. Flow recovery in V2 polycarbonate. LED: Latest generation LED technology, Ta-30+40°C life 80%: >100.000h (L80B10). Photobiological safety class: exempt group EN62471.

Power factor >0.9  
Regulations: Produced according to applicable EN60598-1 CEI 34-21 standards, degree of protection according to EN 60529 standards.  
Wind surface: L:229cm² F:470cm².

Upon request:

- Coating compliant with UNI EN ISO 9227 Corrosion tests in artificial atmospheres for aggressive environments.

- Nema Socket, subcode 40 (sealing cap to be ordered separately)

- Zhaga Socket, subcode 0054 (complete with sealing cap)

Advanced Prog (PROG CLD wiring): luminaires made to meet special technological needs and designed, as standard, to integrate special functions to ensure high energy-savings, customization options and versatility of use in many applications (e.g. installation with dimmers or emergency supply). These functions are already available on standard products and must be enabled on request. These products do not require any modification to the entire system because the lamp only needs to be connected to mains power supply (no pilot cable and/or control bus required).

operating mode

-Luminous flux setup: This can be done by programming the drive current values requested when ordering/purchasing the fixture.

-Virtual Midnight, order with subcode -30: Stand-alone system with automatic luminous flux reduction in 4 steps (up to max 8 steps available upon request).

-Broadcast Prog: This allows the reconfiguration of the Virtual Midnight profile, including the enabling/disabling of all the fixtures installed on the same power line (broadcast function) via a sequence of electrical impulses.

-Mains voltage regulation: This allows varying the luminous flux by adjusting the mains voltage between 170 and 250 V AC.

-CLO (Constant Light Output): The lighting fixture maintains a constant light output throughout its entire service life.

-DC power in EM: In centralized emergency systems, the LED Driver automatically detects when the power changes from AC to DC and adjusts the lights to a pre-set value (DC level).

-Monitoring (default): The driver is equipped with a micro-processor that records the operating conditions from the moment it is turned on.

-Setup via APP: The NFC technology allows users to set the different operating modes via an APP.

Code	Gear	Kg	Lumen Output-K-CRI	WTot	Colour	Surge
330342-00	CLD	11,20	LED-13099lm-700mA-4000K-CRI70	119 W	ANTHRACITE	6/8kV
330348-00	CLD	11,72	LED-16842lm-700mA-4000K-CRI70	152 W	ANTHRACITE	6/8kV
330343-00	CLD	13,20	LED-20586lm-700mA-4000K-CRI70	183 W	ANTHRACITE	6/8kV
330349-00	CLD	10,60	LED-26198lm-700mA-4000K-CRI70	237 W	ANTHRACITE	6/8kV
330342-30	CLD	10,36	LED-13099lm-700mA-4000K-CRI70	119 W	ANTHRACITE	6/8kV
330348-30	CLD	11,84	LED-16842lm-700mA-4000K-CRI70	152 W	ANTHRACITE	6/8kV
330343-30	CLD	11,96	LED-20586lm-700mA-4000K-CRI70	183 W	ANTHRACITE	6/8kV
330349-30	CLD	10,66	LED-26198lm-700mA-4000K-CRI70	237 W	ANTHRACITE	6/8kV
330493-00	CLD	10,20	LED-7214lm-350mA-4000K-CRI70	58 W	ANTHRACITE	6/8kV
330494-00	CLD	10,38	LED-9276lm-350mA-4000K-CRI70	75 W	ANTHRACITE	6/8kV
330495-00	CLD	10,54	LED-11340lm-350mA-4000K-CRI70	91 W	ANTHRACITE	6/8kV
330354-00	CLD CELL	10,72	LED-13099lm-350mA-4000K-CRI70	116 W	ANTHRACITE	6/8kV
330490-00	CLD	10,30	LED-9824lm-530mA-4000K-CRI70	90 W	ANTHRACITE	6/8kV
330491-00	CLD	10,32	LED-12630lm-530mA-4000K-CRI70	116 W	ANTHRACITE	6/8kV
330492-00	CLD	10,48	LED-15437lm-530mA-4000K-CRI70	142 W	ANTHRACITE	6/8kV
330355-00	CLD CELL	10,30	LED-19836lm-530mA-4000K-CRI70	166 W	ANTHRACITE	6/8kV
330342-39	CLD	9,70	LED-12182lm-700mA-3000K-CRI70	119 W	ANTHRACITE	6/8kV
330348-39	CLD	9,80	LED-15663lm-700mA-3000K-CRI70	152 W	ANTHRACITE	6/8kV
330343-39	CLD	11,00	LED-19145lm-700mA-3000K-CRI70	183 W	ANTHRACITE	6/8kV
330349-39	CLD	10,60	LED-24364lm-700mA-3000K-CRI70	237 W	ANTHRACITE	6/8kV
330493-39	CLD CELL	10,20	LED-6709lm-350mA-3000K-CRI70	58 W	ANTHRACITE	6/8kV
330494-39	CLD CELL	10,00	LED-8627lm-350mA-3000K-CRI70	75 W	ANTHRACITE	6/8kV
330495-39	CLD CELL	10,66	LED-10546lm-350mA-3000K-CRI70	91 W	ANTHRACITE	6/8kV
330354-39	CLD CELL	10,30	LED-12182lm-350mA-3000K-CRI70	90 W	ANTHRACITE	6/8kV
330490-39	CLD CELL	10,30	LED-9136lm-530mA-3000K-CRI70	90 W	ANTHRACITE	6/8kV
330491-39	CLD CELL	10,30	LED-11746lm-530mA-3000K-CRI70	116 W	ANTHRACITE	6/8kV
330492-39	CLD CELL	10,50	LED-14356lm-530mA-3000K-CRI70	142 W	ANTHRACITE	6/8kV
330355-39	CLD CELL	10,30	LED-18447lm-530mA-3000K-CRI70	166 W	ANTHRACITE	6/8kV

Accessori

The reported luminous flux is the flux emitted by the light source with a tolerance of ± 10% compared to the indicated value. The W tot column indicates the total wattage absorbed by the system without exceeding 10% of the indicated

3270 Stelvio 1 - Plus - LED

Accessori



- 578 adjustable bracket



- 504 - Single arm



- 508 - Double arm

Pali



- 1508 fluted pole ø120 with base



- 1509 fluted pole ø120



- 1491 poles to be sunk into the ground



- 1481 tapered steel lighting pole to be buried



- 1480 tapered steel lighting pole with base



- 1493 pole with base

The reported luminous flux is the flux emitted by the light source with a tolerance of  $\pm 10\%$  compared to the indicated value. The W tot column indicates the total wattage absorbed by the system without exceeding 10% of the indicated