

### 3592 Ischia

ISCHIA is the ideal streetlamp for parks and residential areas thanks to its simple and round design that communicates the eco-friendly credentials of the LED technology.

ISCHIA LED is available with colour temperatures of 3000 and 4000K. It is also equipped for all the most advanced management and control systems.

The ISCHIA range includes lamps with different photometric curves to achieve the best lighting in every street and setting.

Housing: pressed in die-cast aluminium.

Pole connection: pressed in die-cast aluminium. Suited for poles with a diameter 60 mm.

Diffuser: polycarbonate 2,5 mm thick, thermal shock and impact resistant (UNI EN 12150 tests 1/2001).

Optical system: the modularity of the optical system, the solutions used for the electronic circuit design and the optimal control of operating temperatures, make the new Ischia line a highly professional, flexible and reliable product, capable of guaranteeing huge application advantages in several situations.

Optics: made of PMMA with high temperature resistance and UV rays.

Coating: the standard liquid immersion coating consists of a first metal surface pre-treatment stage, a successive epoxy cataphoresis corrosion and salt resistant coating, and a final layer of bi-component acrylic liquid UV-stabilised coating.

Standard supply: automatic temperature control inside the device with automatic resetting; dedicated electronic device to protect the LED module; Complete with quick connection and anti-condensation valve for air recirculation.

Electronic safety device to protect the LED module and the related ballast compliant with EN 61547.

It works in two modes:

- differential mode: surge between power cables and between the phase and neutral.
- common mode: surge between power, L/N and ground cables or between the fixture's body if it is of class II and installed on a metal pole.

LED: Power factor: 0,9.

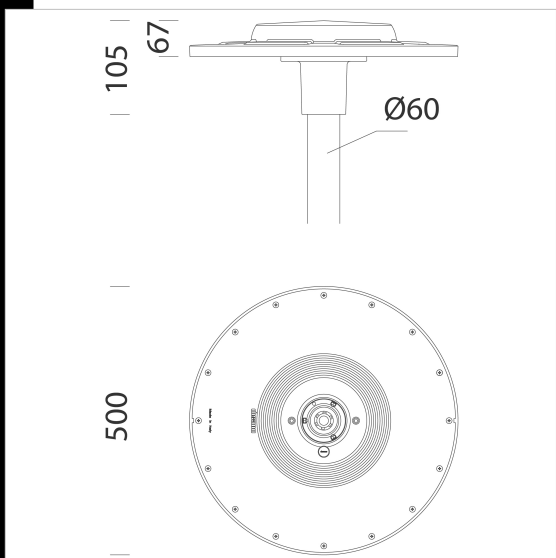
Luminous flux maintenance 90%: 100.000h (L90B10).

BASIC PROG (BASIC CLD) AVAILABLE FUNCTIONS

Luminous flux setup: This can be done by programming the drive current values requested when ordering/purchasing the fixture.

Upon request:

- Coating compliant with UNI EN ISO 9227 Corrosion tests in artificial atmospheres for aggressive environments.
- with power supply 1-10 V dimmable with subcode 12.
- with virtual midnight subcode 30.
- power line carrier remote control systems subcode 0078.
- Nema Socket, subcode 40 (sealing cap to be ordered separately)
- Zhaga Socket, subcode 0054 (complete with sealing cap)



**Download**

DXF 2D  
- ischia.dxf

Montaggi  
- ischia 03-21.pdf

Code	Gear	Kg	Lumen Output-K-CRI	WTot	Colour	Surge
424680-00	CLD	4,48	LED-4395lm-4000K-CRI 70	31 W	GRAPHITE	6/10kV
424680-39	CLD	4,48	LED-4087lm-3000K-CRI 70	31 W	GRAPHITE	6/10kV
424681-00	CLD	4,48	LED-5676lm-4000K-CRI 70	41 W	GRAPHITE	6/10kV
424681-39	CLD	4,48	LED-5279lm-3000K-CRI 70	41 W	GRAPHITE	6/10kV

The reported luminous flux is the flux emitted by the light source with a tolerance of ± 10% compared to the indicated value. The W tot column indicates the total wattage absorbed by the system without exceeding 10% of the indicated