

971 Ottima - High Performance

True energy savings can be obtained only with a quality lighting product. This is why Disano designed Ottima LED, the high-efficiency watertight fixture that improves lighting emissions and cuts down consumptions.

Disano's great expertise in the industrial and retail lighting sector has led to the creation of a perfect relamping solution: with a length of 1500 mm, Ottima LED can replace old 58W lamps.

Ottima LED stands out from similar products available on the market for the quality of its materials and the accuracy of its design allowing special light effects.

The diffuser was created with top-quality UV stabilized polycarbonate, with high thermal transmittance coefficient and lighting distribution, without reducing performance. The special grooved diffuser creates an "all light" effect that eliminates glare and spreads light evenly.

Ottima LED is designed to make installation as easy as possible, with standard steel brackets for quick and safe clamping to ceilings or walls (with the possibility to adjust the installation angle). Moreover, the standard spring clamp allows the luminaire to be easily hooked to any chain suspension system.

Ottima LED can be equipped with control systems, like presence detectors, to allow reducing consumptions and turn on lights only when needed.

It is a watertight fixture designed down to the very last detail in terms of technology, but that can also set itself as a design item, thanks to a clean and basic design, in the perfect Made in Italy style.

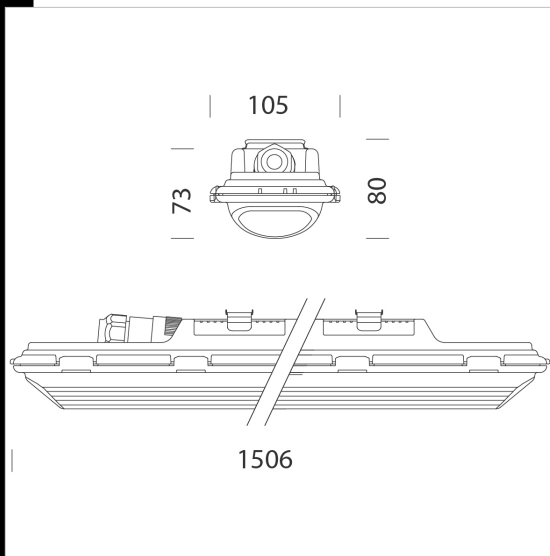
Housing: injection moulded, in grey polycarbonate, shatter-proof, UV-stabilised, highly resistant to mechanical impacts thanks to the reinforced structure with internal ribbing. Diffuser: transparent polycarbonate injection-moulded diffuser with grooves and internal opaque satin finish for greater lighting diffusion, V2 self-extinguished, UV stabilised, outer smooth finish for easy cleaning and to maximize lighting efficiency. Closure with clamps and stainless steel safety screws. Reflector: in galvanised steel, previously stone-enamelled with UV-stabilised polyester resin. Clamping device manufactured directly onto the housing. Standard supply: eco-friendly and anti-aging expanded polyurethane injected gasket. The fixing brackets for ceiling and suspension mounting are in stainless steel. Socket-plug connector. The fixture is secured to the fixing brackets through quick connectors. For installations with direct exposure to sunlight, we recommend using Forma LED.

LED: Power factor: 0.9. Luminous flux maintenance 80%: 120.000h (L80B20) - 80%: 120.000h (L80B20) 164774/164775/164776/. Photobiological safety class: Exempt group. Allowable ambient temperature: -30°C to +40°C

On request: • with radar sensor for ON-OFF fixtures: subcode -19 (with default setting); • with pass-through wiring for continuous line mounting: subcode -0072; • with emergency wiring with centralized power supply: sub-code -0050. • with 1-10V dimmable electronic gear + emergency: subcode -94; (the ceiling lamps are supplied with a single power outlet capable of managing both standard power mode and emergency-EM mode)

This lighting fixture meets the global standards of the International Food Safety (IFS), the British Retail Consortium (BRC) and the HACCP Directive regarding the safety of the lighting systems in the food industry.

In any case, it will be necessary to contact appointed designers and Disano's consultancy office to check the compatibility of materials with the food products processed and in all industrial environments where sanitizing systems are installed.



Download

DXF 2D
- 971.dxf

Montaggi
- 971_OTTIMA.pdf

BIM
- 971_Ottima - 20200211.zip

| Code | Gear | Kg | Lumen Output-K-CRI | WTot | Colour |
|-------------|---------|------|-------------------------|------|--------|
| 164770-00 | CLD | 2,03 | LED-4302lm-4000K-CRI80 | 27 W | GREY |
| 164777-00 | CLD | 1,93 | LED-6300lm-4000K-CRI80 | 34 W | GREY |
| 164771-00 | CLD | 2,05 | LED-7400lm-4000K-CRI80 | 39 W | GREY |
| 164772-00 | CLD | 2,07 | LED-8438lm-4000K-CRI80 | 48 W | GREY |
| 164773-00 | CLD | 2,03 | LED-9017lm-4000K-CRI80 | 53 W | GREY |
| 164774-00 | CLD | 1,99 | LED-9555lm-4000K-CRI80 | 57 W | GREY |
| 164776-00 | CLD | 1,97 | LED-10600lm-4000K-CRI80 | 65 W | GREY |
| 164775-00 | CLD | 1,97 | LED-10041lm-4000K-CRI80 | 61 W | GREY |
| 164770-07 | CLD-E | 2,53 | LED-4302lm-4000K-CRI80 | 30 W | GREY |
| 164777-07 | CLD-E | 2,21 | LED-6300lm-4000K-CRI80 | 34 W | GREY |
| 164771-07 | CLD-E | 2,21 | LED-7400lm-4000K-CRI80 | 42 W | GREY |
| 164772-07 | CLD-E | 2,47 | LED-8438lm-4000K-CRI80 | 52 W | GREY |
| 164774-07 | CLD-E | 2,09 | LED-9555lm-4000K-CRI80 | 60 W | GREY |
| 164773-07 | CLD-E | 2,09 | LED-9017lm-4000K-CRI80 | 56 W | GREY |
| 164775-07 | CLD-E | 2,37 | LED-10041lm-4000K-CRI80 | 61 W | GREY |
| 164776-07 | CLD-E | 2,41 | LED-10600lm-4000K-CRI80 | 65 W | GREY |
| 164770-0041 | CLD-D-D | 2,13 | LED-4302lm-4000K-CRI80 | 25 W | GREY |
| 164771-0041 | CLD-D-D | 2,17 | LED-7400lm-4000K-CRI80 | 39 W | GREY |
| 164777-0041 | CLD | 2,17 | LED-6300lm-4000K-CRI80 | 34 W | GREY |
| 164772-0041 | CLD-D-D | 2,15 | LED-8438lm-4000K-CRI80 | 48 W | GREY |
| 164773-0041 | CLD-D-D | 2,05 | LED-9017lm-4000K-CRI80 | 52 W | GREY |
| 164774-0041 | CLD-D-D | 2,11 | LED-9555lm-4000K-CRI80 | 56 W | GREY |
| 164775-0041 | CLD-D-D | 2,05 | LED-10041lm-4000K-CRI80 | 61 W | GREY |
| 164776-0041 | CLD-D-D | 2,11 | LED-10600lm-4000K-CRI80 | 65 W | GREY |

The reported luminous flux is the flux emitted by the light source with a tolerance of ± 10% compared to the indicated value. The W tot column indicates the total wattage absorbed by the system without exceeding 10% of the indicated

Accessori



Prodotti

Prodotti



- 978 Wall bracket

The reported luminous flux is the flux emitted by the light source with a tolerance of $\pm 10\%$ compared to the indicated value. The W tot column indicates the total wattage absorbed by the system without exceeding 10% of the indicated