



## Introduction to the Callistro series -

The ceiling light comes in a range of sizes & distributions. It has a high lumen LED engine, a larger lighting area which encompasses a low glare design giving a softer and uniform light output. An all aluminum housing provides an excellent thermal management.

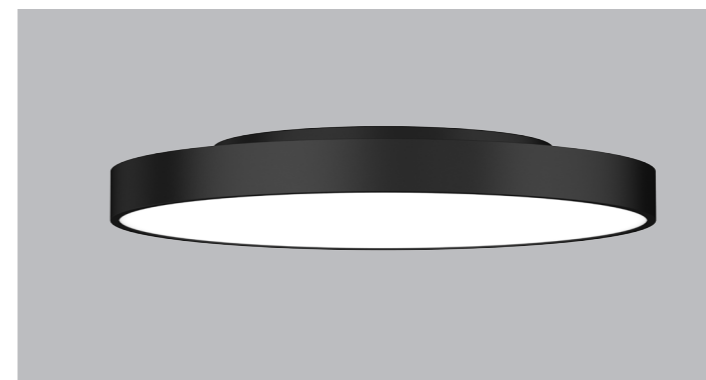
Size options - 400mm, 600mm, 800mm, 1000mm. It can do CCT adjustable and wattage adjustable, multiple installation ways available which meets more application demands.

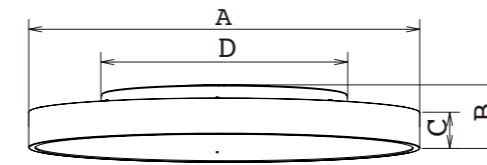
## Features

- High lumen efficiency 110lm/W.
- Interchangeable CCT (3000+4000+5700K/3000+4000K) with slide switch.
- Interchangeable wattage available for all size.
- DALI dimmable available.
- Osram flicker free driver.
- Multiple installation ways: Recessed/Surface mounted/Pendant(With pendant rod suspension, with steel wire suspension, with wire harness suspension. )
- Two lighting design: 100% direct lighting, up & down lighting (Not for recessed installation).

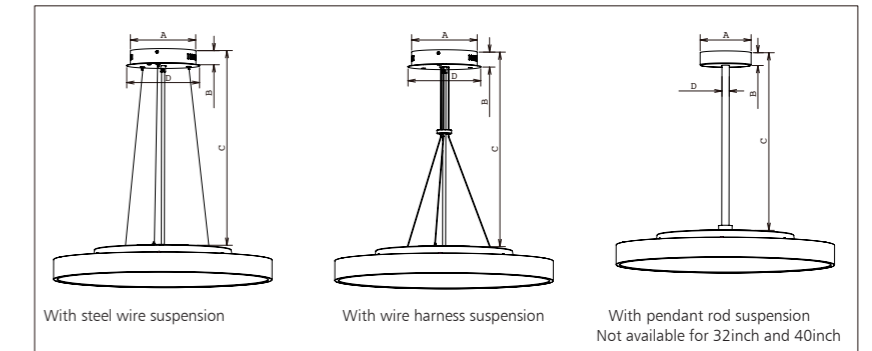
## Application Areas

It is designed for general lighting applications - office, breakout & lobby, circulation areas, Waiting rooms, school, hotel, etc.





Suspension accessories (Purchase as needed)



## Technical Data Sheet

Code No.	AL99-16-40W	AL99-24-60W	AL99-32-75W	AL99-40-100W		
Dimension(mm)	Ø400*86	Ø600*86	Ø800*86	Ø1000*86		
Cutout (mm)	Ø220~250					
Watt(W)	40W @max (optional:35W / 37W / 38W / 40W)	60W @max (optional: 42W / 49W / 60W)	75W @max (optional:47W / 55W / 68W / 75W)	adjustable power with resistance100W @max (optional:40W-100W)		
Rated Input Voltage(V)	230V					
Input Voltage(V)	220-240V					
LED Module Input	-					
Light Source	SMD					
SDCM	<6 (@3000K 4000K 5000K)					
CCT(K)	1-CCT: 3000K/4000K/5000K/5700K    3-CCT: 3000K + 4000K + 5700K					
CCT Selection DIP Switch	YES					
Luminous Flux (lm) ±5%	Non-DIM	1-CCT	3500-4300	5700-6660	6700-8000	8800-10700
			DIM	3500-4300	5700-6660	6700-8000
	Non-DIM	3-CCT	3500-4300	5700-6700	6700-8000	8800-10700
			DIM	3500-4300	5700-6660	6700-8000
CRI	≥80					
Beam Angle (°)	120°					
UGR	-					
LED Driver	Built-in					
Dimming Option	DALI					
Sensor	NO					
Emergency Kits	NO					
Electrical Class	Class I					
Ingress Protection (IP Rating)	IP40					
Impact Resistance (IK Rating)	-					
Product Finishing(Base)	White RAL 9016/Black RAL 9005					
Materials of Optics	PS					
Materials of Housing	Aluminum					
Lifetime (hr)	50,000h					
Glow wire test (°C)	650°C					
Operating Temp. (°C)	-20°C ~40°C					
Storage Temp. (°C)	-20°C ~65°C					
Installation	Surface mount / Pendant / Recessed					

## Measurement

Code	Dimension(mm)				Size(mm)	Product Weight (Kg)		Package weight (Kg)		Carton Size(cm)	Qty/CTN	20GP (pcs)	40HQ (pcs)
	A	B	C	D		N.W/PC	G.W/PC	N.W/CTN	G.W/CTN				
LT99-16-40W	400	86	55	219	Ø400*86	3.2	3.8	19.2	25	64.5*46.5*47.5	6PCS	1032	2208
LT99-24-60W	600	86	55	383	Ø600*86	6.9	7.93	13.8	18	68.5*23.5*68.5	2PCS	528	1206
LT99-32-75W	800	86	55	383	Ø800*86	11	13	11	13	85.5*11.5*90.5	1PC	308	672
LT99-40-100W	1000	86	55	383	Ø1000*86	16.2	18.8	16.2	18.8	105.5*11.5*112.5	1PC	210	474
steel wire suspension	180	41	800	200	Ø200*41	0.86	0.9	5.16	6.4	26.5*23*23	4PCS	7488	18700
wire harness suspension	180	41	800	200	Ø200*41	0.86	0.9	5.16	6.4	26.5*23*23	4PCS	7488	18700
pendant rod suspension	140	35	500	10	Ø140*35	0.78	0.9	4.68	6.4	55.5*41.5*44.5	18PCS	4860	11664

## Driver Datasheet (Non-dimmable)

Total load wattage		40W	60W	75W	100W
Output	Output Voltage range	DC30-42V		DC70-217V	
	Rated output current	900mA@ max(optional:800mA / 850mA / 875mA / 900mA)	500mA@ Max(optional:350mA / 400mA / 500mA)	550mA@ Max(optional:350mA / 400mA / 500mA / 550mA)	250-700mA
	Line Regulation	±7.5%		±5%	
	Setup, Rise Time	-			
	Flickering Index	<3% IEEE1789 NO RISK		<5% IEEE1789 NO RISK	
	Input	Input Voltage	198-264V		
Rated Input Voltage(V)		220-240V			
Frequency		50/60Hz			
Input Current		0.23A	0.34A	0.42A	0.57A
Rated Input Current		0.21A	0.31A	0.41A	0.51A
Power Factor		0.9			
THD		<10% @230V			
Efficiency		90%	92%		95%
No load wattage		<0.5W		-	
Protection		Short circuit protection	Pass		
	Over voltage protection	Pass			
	Over temperature protection	Pass			
Safety & EMC	Withstand voltage	I/P-O/P: 3.75KVac, <5mA 60S	I/P-FG 1.6KV <5mA 60S		
	Isolation Resistance	I/P-O/P: 500VDC, ≥100M Ω	-		
	Surge	IEC/EN61000-4-5 (P≥25w L-N:1KV, L/N-PE:2KV)			
	EMC Emission	EN55015, EN61000-3-2			
EMC Immunity	EN61000-4-2,3,4,5,6,8,11; EN61547				

# Driver Datasheet (DALI Dimmable )

Total load wattage		40W	60W	75W	100W
Output	Output Voltage range	DC15-54V		DC54-240V	
	Rated output current	900mA	500mA	550mA	700mA
	Line Regulation	±3%			
	Setup, Rise Time	-			
	Flickering Index	<2% IEEE1789 NO RISK		<1% IEEE1789 NO RISK	
Input	Input Voltage	198-264V			
	Rated Input Voltage(V)	220-240V			
	Frequency	50/60Hz			
	Input Current	0.23A	0.34A	0.42A	0.57A
	Rated Input Current	0.21A	0.31A	0.41A	0.51A
	Power Factor	>0.9			
	THD	<10% @220-240V			
	Efficiency	91%		92%	
	No load wattage	not permitted		<0.25W	
Protection	Short circuit protection	Pass			
	Over voltage protection			Pass	
	Over temperature protection			Pass	
Safety & EMC	Withstand voltage	I/P-O/P:3.75KVac, <5mA 60S; I/P-FG:1.6KVac, <5mA 60S; O/P-P-FG:0.5KVac, <5mA 60S		I/P-FG-1.6KV <5mA 60S	
	Isolation Resistance	I/P-O/P: 500VDC, ≥100M Ω		-	
	Surge	IEC/EN61000-4-5 (P≥25w L-N:1KV, L/N-PE:2KV)			
	EMC Emission	EN55015, EN61000-3-2			
	EMC Immunity	EN61000-4-2,3,4,5,6,8,11; EN61547			

## Installation Procedure

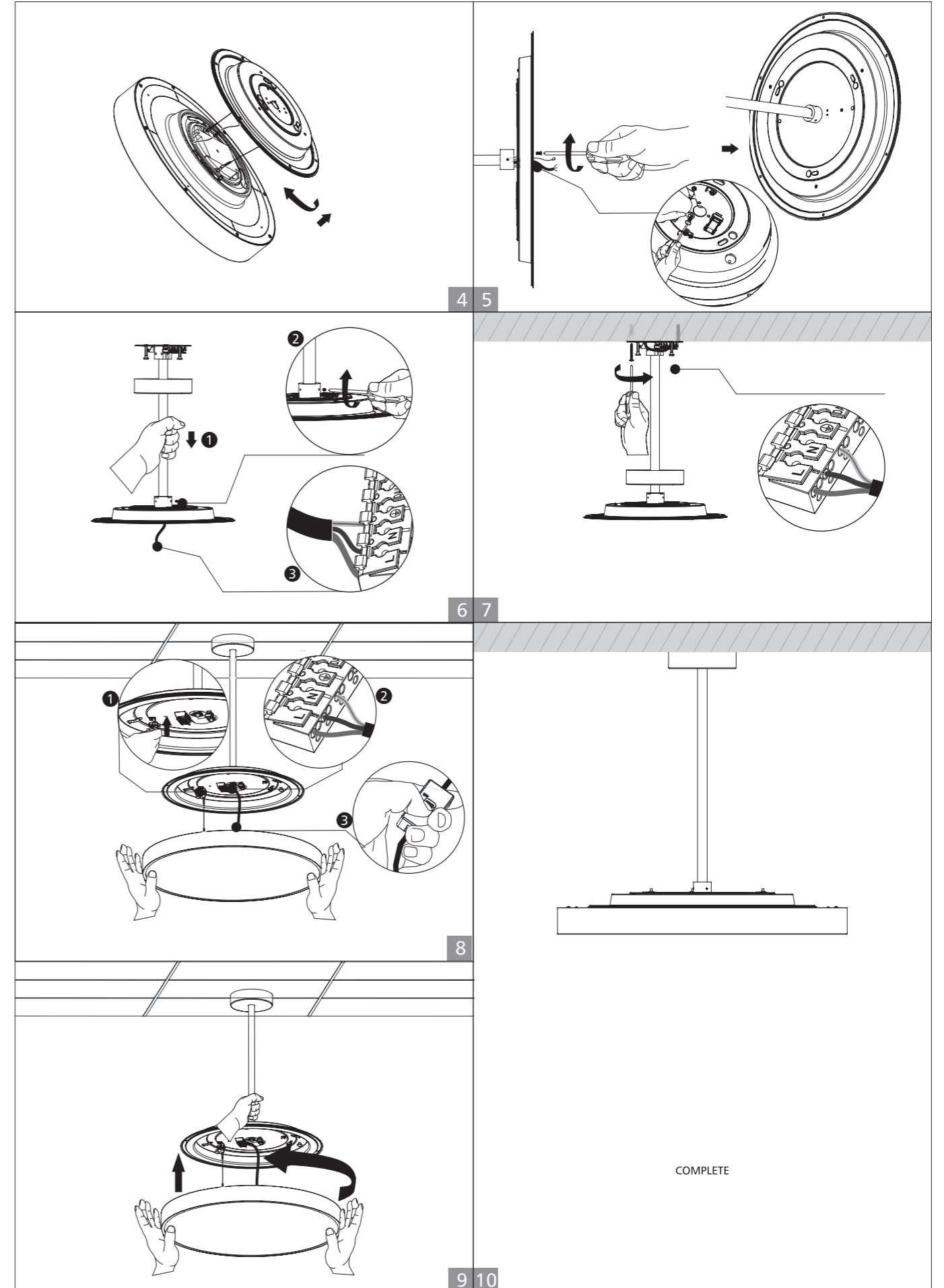
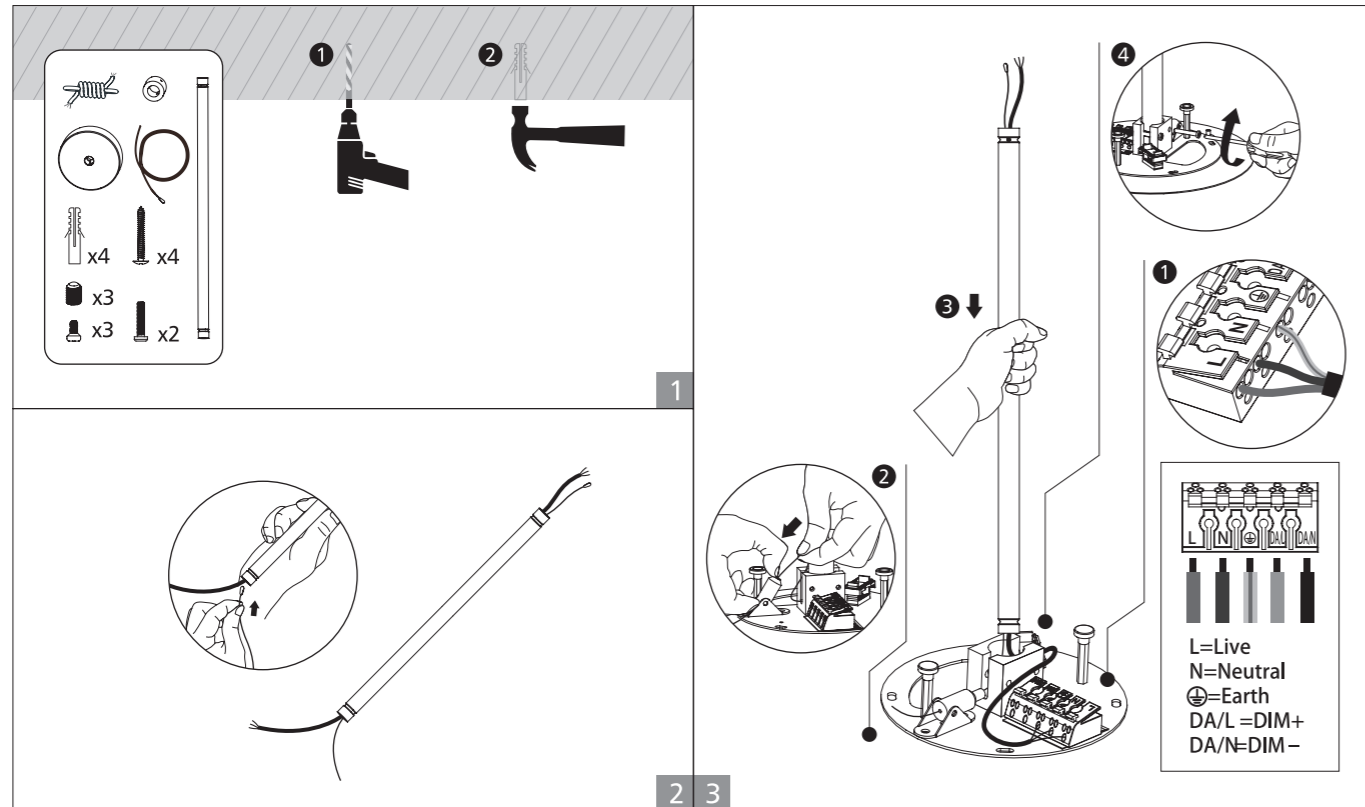
### WARNING ⚡

1. Switch off before installation / maintenance.
2. Switch on only after complete installation and examination of the circuit.
3. Professional electrician for installation and maintenance only.

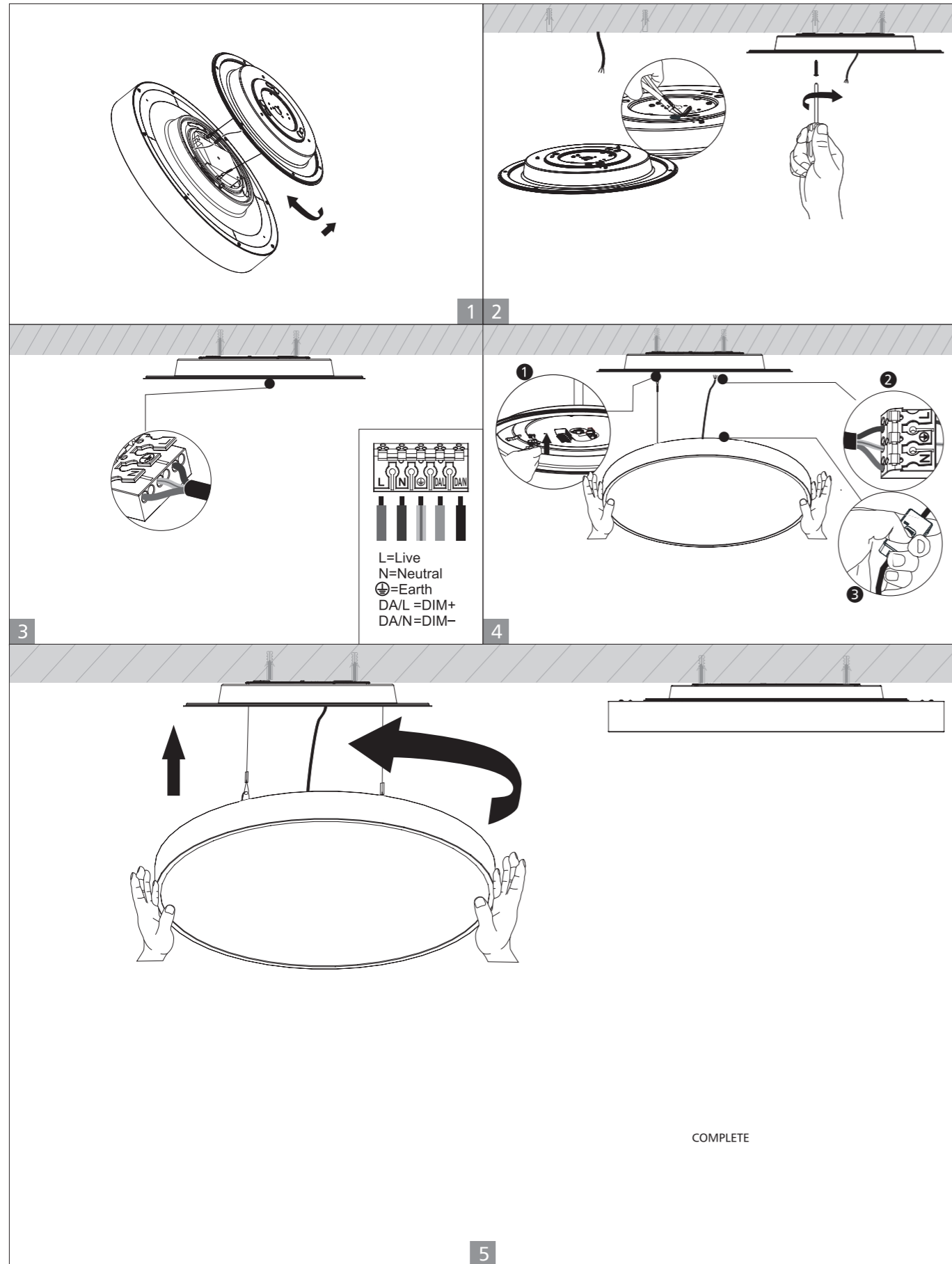
Turn Off power supply before starting any installation. Read instructions & check you have all the tools & accessories to complete the installation correctly.



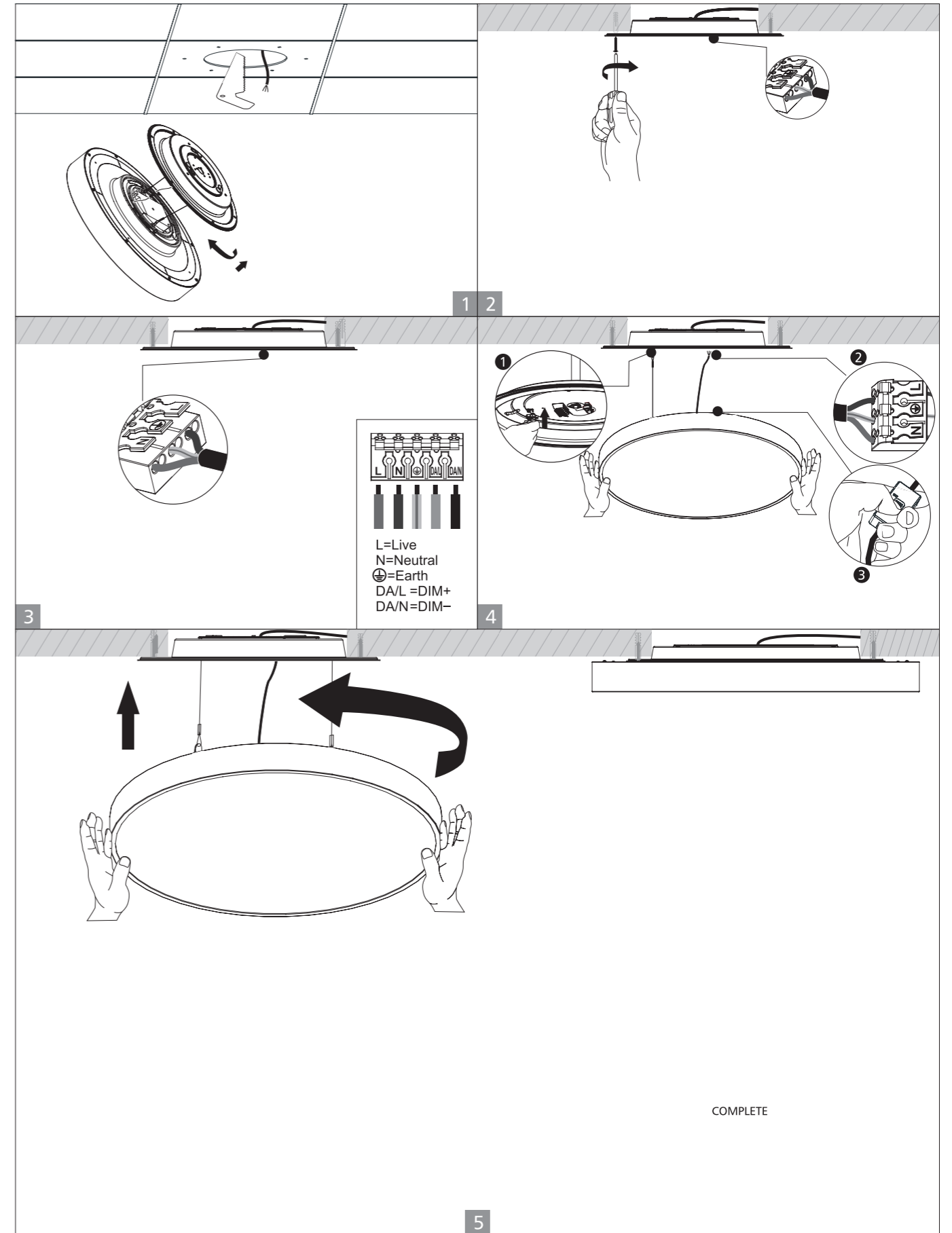
### With pendant rod suspension installation



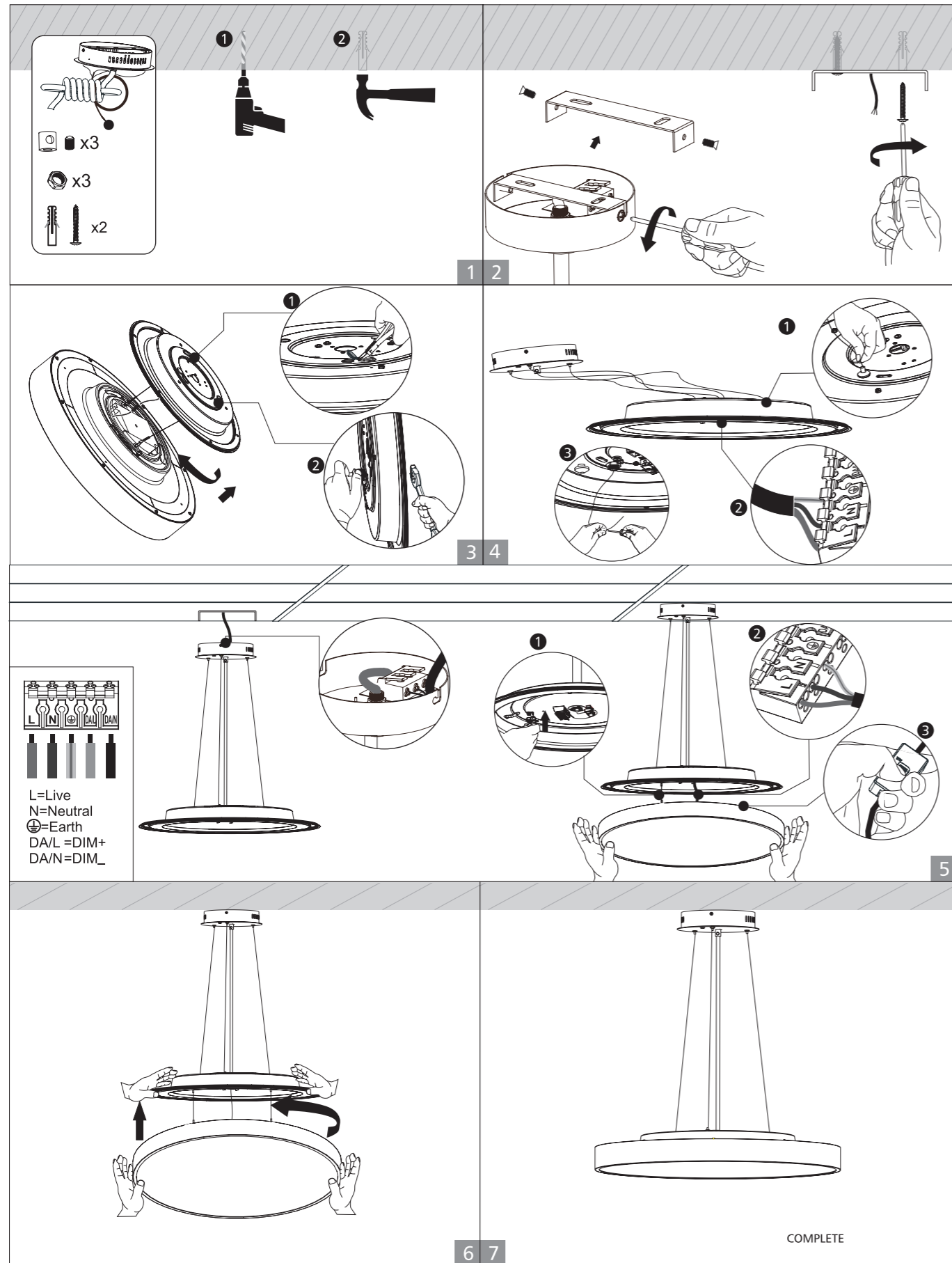
Surface Mount installation



Recessed installation



With steel wire suspension installation



With wire harness suspension installation

