

Description

The LED Tubular Light is perfectly suited for harsh conditions in highly polluted environments where a high level of quality lighting is needed. Rated IP69K with an IK10 shock rating, the Tubular Light is suit for water, dust, humidity, corrosion, and other harsh elements with ease.

Key Features

- Anti-ammonia
- High Lumen output
- Special-designed PC optics lens (120° Distribution)

Application

- Food Processing
- Farm Lighting
- Poultry Lighting
- Agricultural applications
- Other applications

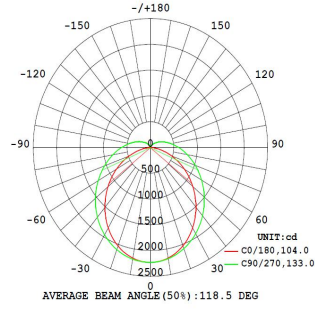
Specifications for the Tubular IK10 - LED

Model No.	LTHB13020	LTHB13040	LTHB13050
Power Consumption	20±2W	40±4W	50±5W
LED Type	RF 2835		
Luminous Flux (±5%)	2600LM	5200LM	6500LM
Efficacy (4000K, Ra80)	130(±5%) LM/W		
Correlated Color	4000K		
Color Rendering Index	Ra80		
Beam Angle	120°		
Power Supply	PHILIPS Xitanium Driver		
Input Voltage	220-240 VAC		
Power Factor	≥0.9 at Max Load		
Frequency	50 / 60 Hz		
Surge Protection	1kV line-line, 2kV line-earth		
Driver Type	Constant Current (CC)		
Product Dimension	4.72"x3.31"x23.62" (120x84x600mm)	4.72"x3.31"x44.41" (120x84x1128mm)	4.72"x3.31"x54.72" (120x84x1390mm)
Luminaire Net Weight	2.43±0.44Lbs (1.10k±0.2kg)	3.57±0.44Lbs (1.62±0.2kg)	4.32±0.44Lbs (1.96±0.2kg)
Export Carton Size	34.13"x17.51"x13.38" (867*445*340mm)	55.12"x13.19"x13.38" (1400*335*340mm)	62.99"x13.19"x9.25" (1660*335*235mm)
Gross Weight	42.59±0.44Lbs(19.32±0.2 kg) 12PCS/CTN	44.03±0.44Lbs(19.97±0.2 kg) 9PCS/CTN	35.80±0.44Lbs(16.24±0.2 kg)6PCS/CTN
Material	Cover	Stainless steel	
	Optic	Polycarbonate Optical Lens	
Finish	/		
Fixture Color	/		
IP Rating	IP69K		
Mounting Option	Pendant and Surface Mounting		
Operating Temperature	-22°F ~ 104°F (-30°C ~ 40°C)		
Life Time	50,000 Hours (@77°F / 25°C)		
Dimmable	No		
Intelligent Control	DALI		
Accessory	Steel wire suspension		

Tublation :

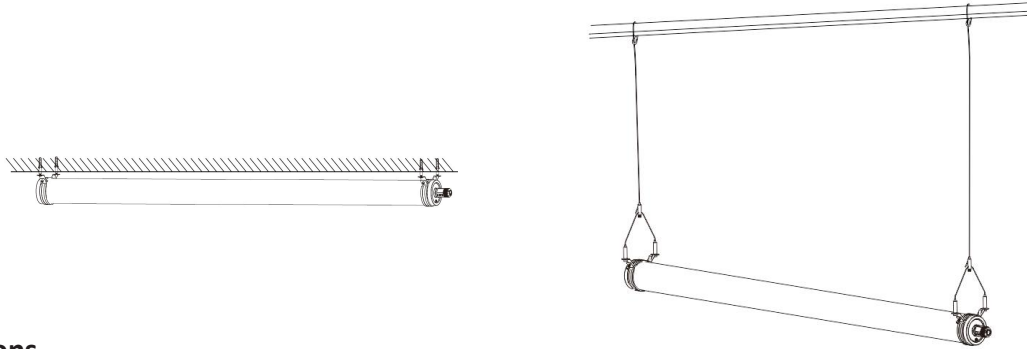
Check :

Approve :

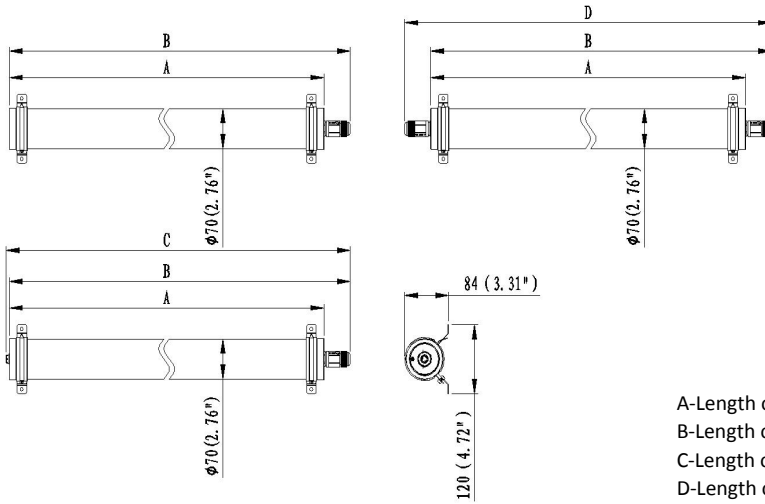


20W/40W/50W:L00C18-02

Mounting Options



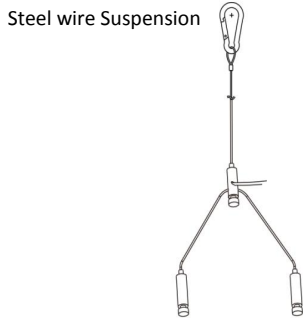
Dimensions



MODEL	A		B		C		D	
	mm	in	mm	in	mm	in	mm	in
LWB13-020	600	23.62	650	25.59	656	25.83	700	27.56
LWB13-040	1128	44.41	1178	46.38	1184	46.61	1228	48.35
LWB13-050	1390	54.72	1440	56.69	1446	56.93	1490	58.66

A-Length of the body;
 B-Length of the body with single connector;
 C-Length of the body with single connector and vent;
 D-Length of the body with double connectors.

Accessories



Tablation :

Check :

Approve :