

## Configuration Sheet

---

# LITEPLAIN 1S - LP1S

Suspended  
Wall  
Surface



# LITEPLAIN 1S — LP1S

Suspended, Wall, Surface

## 1. Base Model

---

LP1SS	Suspended
LP1SSM	Surface Mount
LPSWM	Wall Mounted

## 2. Run Length/Size

---

Enter length in mm for custom lengths.  
See **Standard Lengths and Shapes** PDF for standard products.

## 3. LED Lamping

---

LOW - **xxxx**K (example: LOW-4000K)

MED - **xxxx**K (example: MED-4000K)

CV - **xxxx**K

STD - TW

HI - TW

STD - RGBW - **xxxx**K

HI - RGBW - **xxxx**K

## 4. LED Driver (remote only)

---

1-10V	1-10V dimming
DALI	DALI dimming
DMX	DMX dimming
NONDIM	Non-dimmable
OTHER	(Consult factory for options)

# LITEPLAIN 1S — LP1S

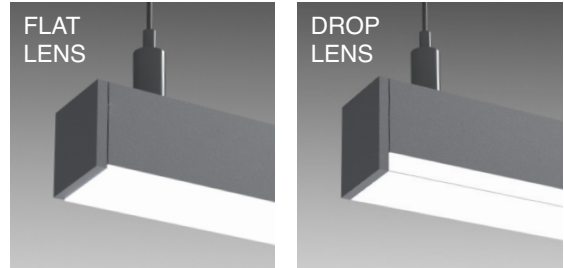
Suspended, Wall, Surface

## 5. Lens

---

FLAT  
DROP

Flat Lens  
Drop Lens



## 6. Finish

---

AL  
BK  
WH  
RAL/ \_\_\_\_  
BRONZE

Standard, natural aluminium  
Black powdercoat  
White powdercoat  
Specify RAL powdercoat (ex: #RAL/3003)  
Bronze powdercoat

## 7. Canopy

---

STD  
COMBO  
SMALL

Standard canopy & separate suspension  
Combo suspension canopy  
Small canopy & separate suspension

## 8. Additional options

---

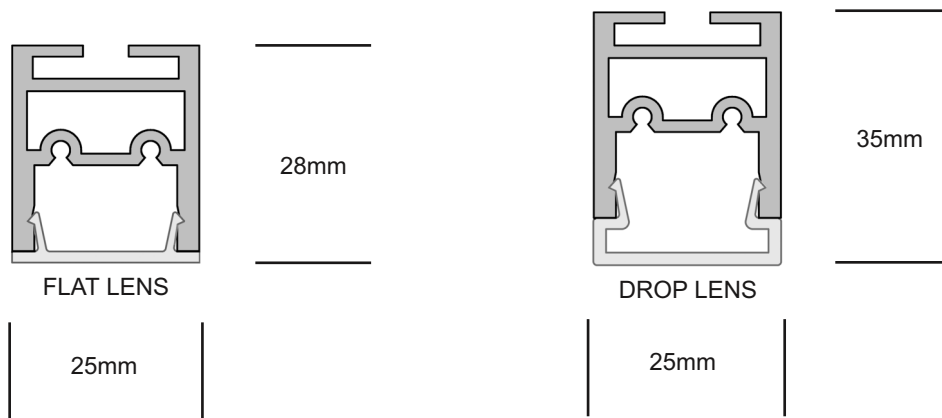
EM  
DALIEM  
DALIEMPRO  
PIR-A  
PIR-P  
DALIPIR  
OTHER

3 hour Emergency Kit - remote  
3 hour DALI Emergency Driver/Battery - remote  
3 hour DALI EMPRO Emergency Driver/Battery - remote  
PIR Absence Detector - remote  
PIR Presence Detector - remote  
DALI PIR Sensor - remote  
Contact Factory

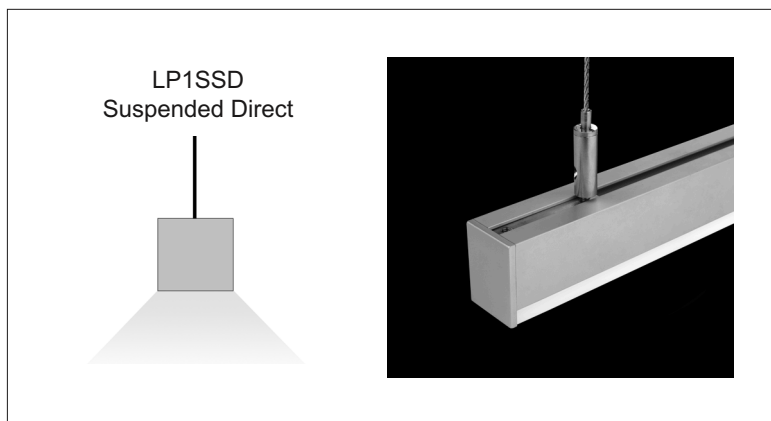
# LITEPLAIN 1S — LP1S

Suspended, Wall, Surface

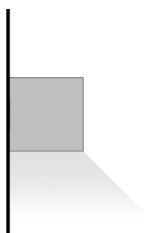
## Dimensions



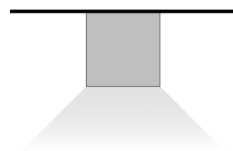
## Mounting Options



LP1SWM  
Wall Mount



LP1SSM  
Surface Mount



# LITEPLAIN 1S — LP1S

Suspended, Wall, Surface

---

## Housing

100% recyclable, extruded architectural grade T6061 aluminium

---

## Emergency

Luminaires can be wired for emergency circuit and/or emergency battery backup. Consult factory for options.

---

## Suspension Hardware

STD	Standard separate 115mm diameter power canopy and suspension
COMBO	115mm diameter canopy and suspension are combined
SMALL	82mm diameter small separate power canopy and suspension

---

## Options

Mitered Corners  
Consult factory for mitered corner angle options.

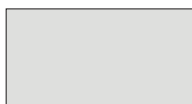
---

## Finish

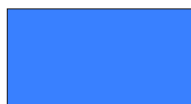
Standard finish is "Ultimate" aluminium - a smooth, clean and durable finish achieved from a deep-etch and two step clear anodizing process. White, Black, Bronze or custom RAL powdercoat options are also available.



WH - WHITE



AL - ALUMINIUM



RAL/\_\_\_



BK - BLACK



BRONZE

*Default canopy finish is to match fitting color, unless otherwise specified*



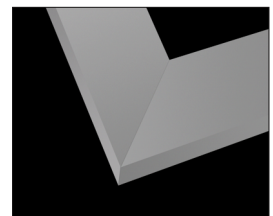
STD



Combo



Small



Mitered Corners