



STANZA

Luminaire design: Christophe Canadell

STANZA was born of a desire to rejuvenate, but without betraying, the silhouette of the 4-sided luminaires of yesteryear.

The happy union of the materials gives this luminaire a magic touch that will reveal the charms and secrets of the old cities. And in more modern settings, **STANZA** hints at the mystery of a city that is familiar and welcoming yet also forward-looking.

STANZA is available in both top-mounted and suspended configurations, and there are several variants. In its LED version, it comes with a SOMLED 1 module or BLS type LED strips.



INTEGRATED BLS STRIPS



SOMLED 1 MODULE



Stanza Festone



STANZA



APPLICATIONS

- Mounting: Post top or suspended
- Recommended heights: 4 to 8 m
- Urban streets, pedestrians, cycle paths, squares

DESCRIPTION

- Injection die-cast aluminium body
- Arms in polycarbonate (UV treatment)
- Thermally toughened flat glass
- According to the version, injected aluminium arms and carrying structure
- Polyester powder coating, any colour available
- IP 66
- IK 10
- Luminaire pre-wired in the factory (6 m) (post top version only)
- Class I or II
- 2 types of sources:

SOMLED 1 module:

-colour temperature: 4000 K and 3000 K

BLS strips:

- equipped with BLS with QUADRALENS lenses
- colour temperature: 2400 K, 2700 K, 3000 K or 4000 K

CITIZEN REFERENCE POINTS

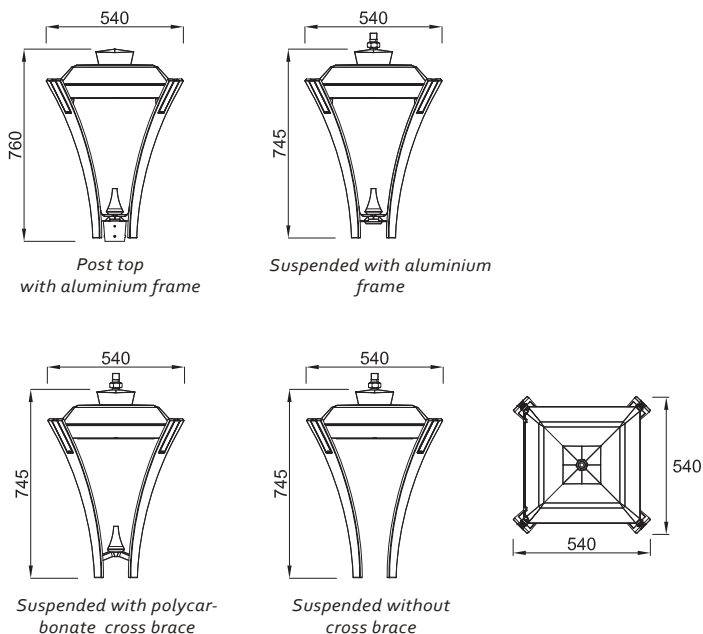
- Materials used: Aluminium 68%, Plastic 12%, Steel 9%, Glass 7%, Other 4%
- Complies with the RoHS directive
- High recyclability rate

WATERPROOFING

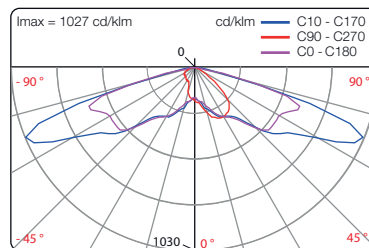
- IP 66 waterproofing in accordance with the standard EN 60 529
- Extruded silicone gasket - high temperature on the body and glass
- Breathing system with activated carbon filter

MECHANICAL INTERFACES

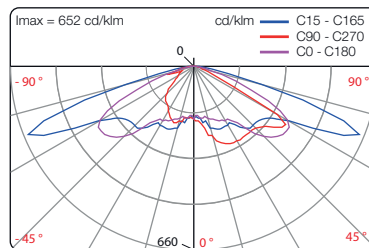
- Post top luminaire:
Fixation on standard pole Ø 60/62 mm
For pole Ø 76 mm top, optional spigot C (see page 278)
Post top mounted, fastened by 8 screws (M8)
- Suspended luminaire:
Suspended fixation with gas threaded swivel joint Ø 27 (see page 278 - H)



SOMLED 1 - ERS (post top version)



SOMLED 1 - ERL (post top version)



KEY POINTS

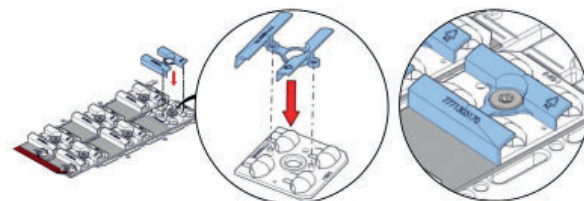
		STANZA
Applications		Urban streets, pedestrians, cycle paths, squares
Recommended heights		4 to 10 m
Mounting		Post top or suspended
Dimensions	Length	540 mm
	width	540 mm
	height	745 mm
Weight		suspended with/without cross brace: 16 kg suspended with aluminium frame: 18 kg Post top: 18,5 kg
Windage area		suspended without cross brace: 0,14 m ² suspended with cross brace: 0,15 m ² suspended with aluminium frame: 0,15 m ² Post top: 0,15 m ²
Sources		SOMLED 1
		BLS STRIPS
Optics and light distribution options		SOMLED 1: ECL, ERS, ERL QUADRALENS [®] : ECa, ERS, ERL, LRL, LRS
OPTIONS	Backlight shield⁽¹⁾ (factory or site assembly)	○
	SMART-READY[®] (2) by Eclatec (construction)	○
	DALI (construction)	○
	Dimming 5 (preset)	○
	CLO (preset)	Compatible with standard version or DALI option
	Motion 5 (preset)	○
	Motion (setting on site)	○
	Motion COM (setting on site)	○
	Motion P (set in the bottom of the pole)	○
POLEDRIVE (set in the bottom of the pole)	○	

(1) Backlight shield optional except for EPD, EPG, ECa
(2) Preconfigured communicating system: Wired Sensor Ready type driver and Zhaga consortium base

Glossary: ● Standard ○ Option - Not available

E/L/P: Lighting/Luminance/Projection, **R/C/T/F/P:** Road/Circulation/Path/Beam/Pedestrian walkway, **E/S/L/A/D/G:** Narrow/Standard/Wide/Asymmetric/Right/Left, **POLEDRIVE:** preset at the bottom of the pole / night dimming calculator with 2 configurable thresholds, set in the bottom of the pole, **Dimming 5:** night dimming calculator with 5 configurable thresholds, **Motion:** moving sensor, **Motion P:** Configurable offset presence detector at the foot of the pole, **Motion DALI:** Detector integrated to the luminaire, adjustable at pole base, **Motion 5:** Motion sensor and dimming calculator, **Motion COM:** Wireless detection and communication, **DALI:** compatible with the DALI protocol, **CLO:** Constant Lumen Output option

BACKLIGHT SHIELD



Backlight shield BLS version

MAINTENANCE

Opening and closing

Unlocking of the cover with a flat screwdriver. {1}
Opening of the cover and resting on the safety prop. {2}



Source maintenance

Direct access to the SOMLED 1 module after opening the cover. {3}
Power supply by quick connectors. Removable module.

