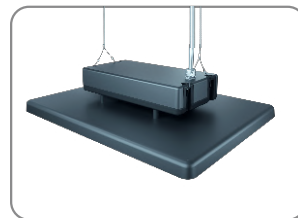
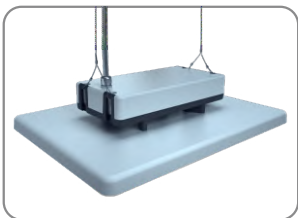




**160**  
**LM/W**

“ Anti-glaring light is required more and more for applications where people doesn't feel comfortable with the glaring light, especially when the lights were not very high. Mildbeam is the ideal solution for visual protection. This increases the performance of staff and the quality of their work. ”



**UGR<21**

**IK10**

**160lm/w**

**PERFECT FOR STADIUM**

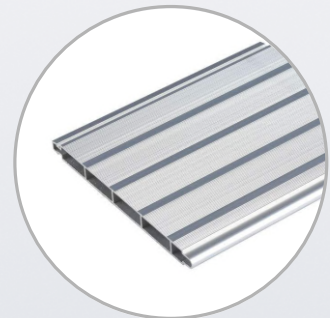
**More Than Good**



Cree LED



Meanwell / Osram  
Driver

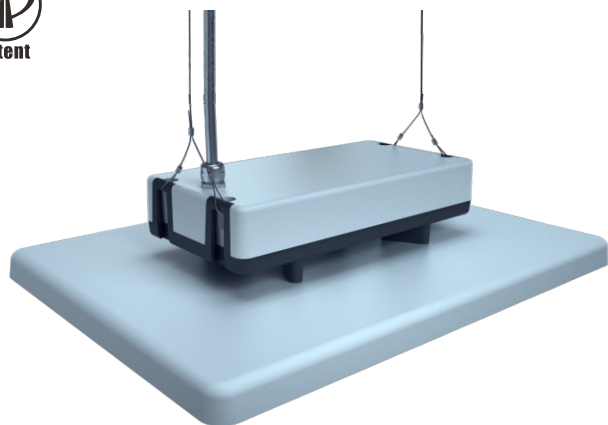


Pure Aluminum  
heatsink



**Europe Design Patent**

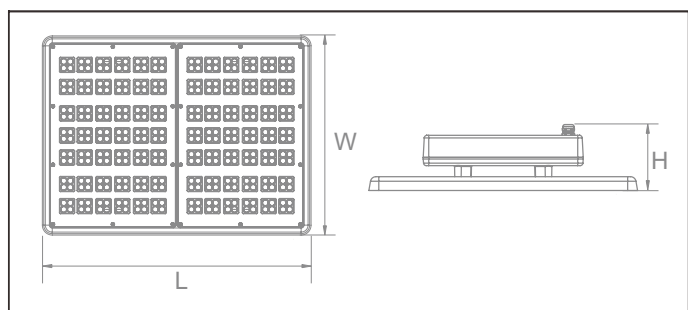




**160LM/W**

## Features

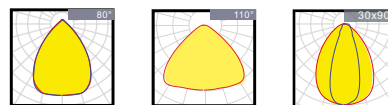
- Housing: Pure Aluminum
- Thermal Conductivity: 226 W/m·K
- Led: CREE JK 3030
- CRI: Ra>70 ( 80/90 for option)
- SDCM: <6
- Power Factor: >0.95
- THD: <15
- Driver: Osram
- Driver Efficiency: >93%
- Protection: OTP, OCP, OVP, SCP
- Surge Protection: 10KV
- Waterproof: IP65
- Impact Test: IK10
- Electrical: 220-240V, 50/60Hz
- Operating Temperature: -40~50°C
- Tm21: L90B10>50,000H
- Lifetime: 50,000H



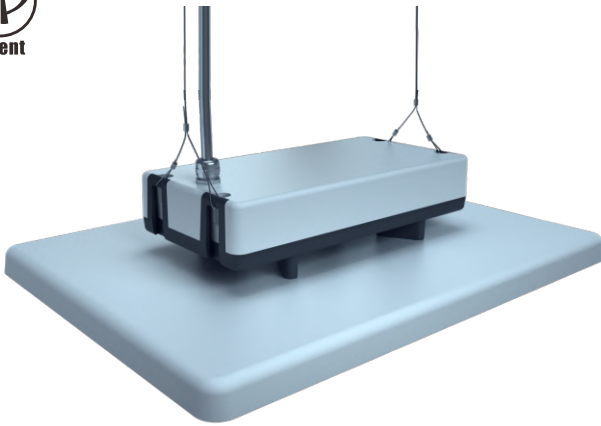
## Functions

ZigBee · PWM · DALI · 0/1~10V · Micro-wave

## Optical options:



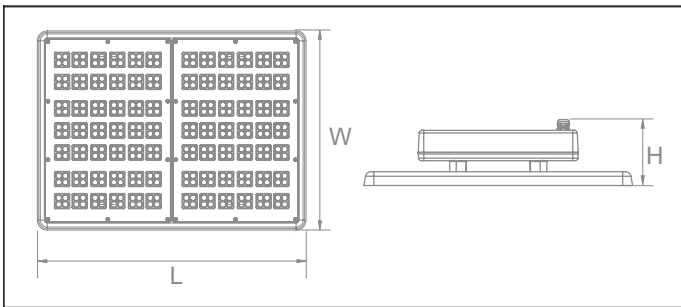
Model	Watt	Voltage	Lumen	CRI	IP	Dimension
LT060ME2I-CO	60W	220~240V	9600LM	>70(80)	IP65	L362*W257*H120MM
LT100ME2I-CO	100W	220~240V	16000LM	>70(80)	IP65	L362*W257*H120MM
LT120ME2I-CO	120W	220~240V	19200LM	>70(80)	IP65	L415*W310*H120MM
LT150ME4I-CO	150W	220~240V	24000LM	>70(80)	IP65	L487*W362*H120MM
LT200ME4I-CO	200W	220~240V	32000LM	>70(80)	IP65	L487*W362*H120MM
LT300ME6I-CO	300W	220~240V	39000LM	>70(80)	IP65	L720*W365*H130MM
LT360ME6I-CO	360W	220~240V	43200LM	>70(80)	IP65	L720*W365*H130MM



**160LM/W**

## Features

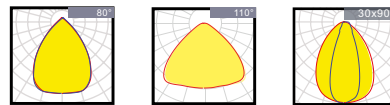
- Housing: Pure Aluminum
- Thermal Conductivity: 226 W/m·K
- Led: CREE JK 3030
- CRI: Ra>70 ( 80/90 for option)
- SDCM: <6
- Power Factor: >0.95
- THD: <15
- Driver: Meanwell ELG
- Driver Efficiency: >93%
- Protection: OTP, OCP, OVP, SCP
- Surge Protection: 6KV
- Waterproof: IP65
- Impact Test: IK10
- Electrical: 100-277V, 50/60Hz
- Operating Temperature: -40~50°C
- Tm21: L90B10>50,000H
- Lifetime: 50,000H



## Functions

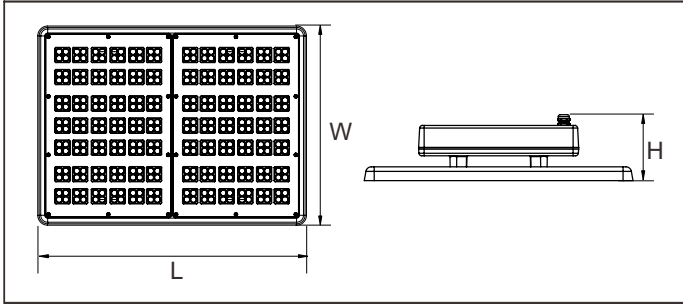
ZigBee · PWM · DALI · 0/1~10V · Micro-wave

## Optical options:



Model	Watt	Voltage	Lumen	CRI	IP	Dimension
LT060ME2I-CM	60W	100~277V	9600LM	>70(80)	IP65	L362*W257*H120MM
LT100ME2I-CM	100W	100~277V	16000LM	>70(80)	IP65	L362*W257*H120MM
LT120ME2I-CM	120W	100~277V	19200LM	>70(80)	IP65	L415*W310*H120MM
LT150ME4I-CM	150W	100~277V	24000LM	>70(80)	IP65	L487*W362*H120MM
LT200ME4I-CM	200W	100~277V	32000LM	>70(80)	IP65	L487*W362*H120MM
LT300ME6I-CM	300W	100~277V	48000LM	>70(80)	IP65	L720*W365*H130MM





Model	L*W*H (mm)	Outer Carton(mm)			QTY / Outer CTN	NW/CTN	GW/CTN
LT060ME2I	362*257*120	465	335	185	1	4.1	4.5
LT100ME2I	362*257*120	465	335	185	1	4.1	4.5
LT120ME2I	415*310*120	510	400	185	1	4.4	5.0
LT150ME4I	487*362*120	550	420	185	1	6.2	6.5
LT200ME4I	487*362*120	550	420	185	1	6.2	6.5
LT300ME6I	720*365*130	820	445	195	1	7.5	8.7
LT360ME6I	720*365*130	820	445	195	1	7.5	8.7