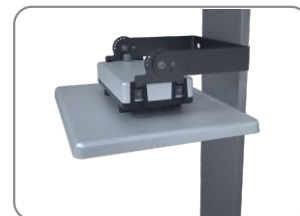
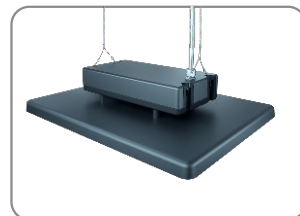
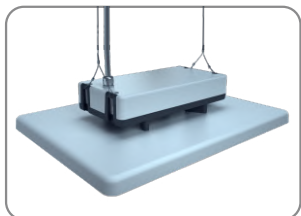


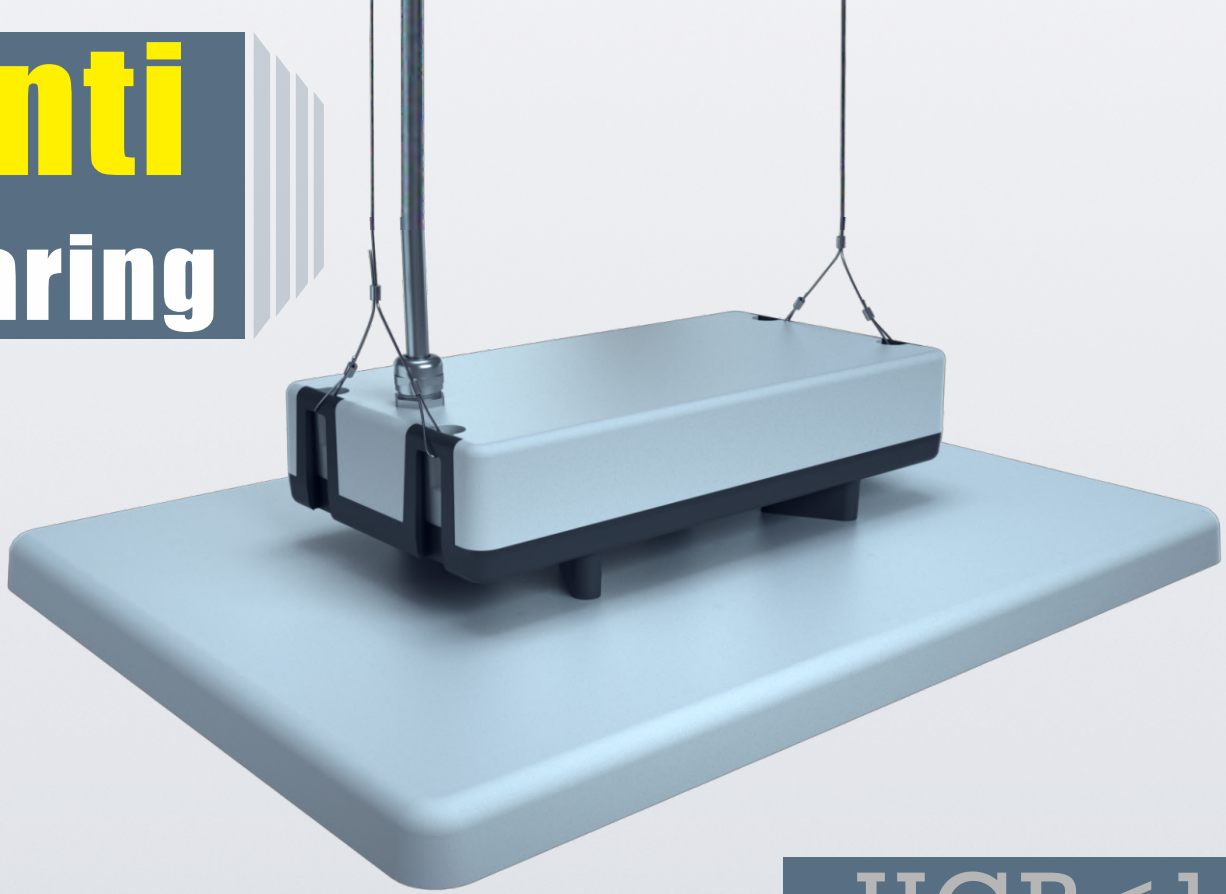


Redefine Anti-Glaring

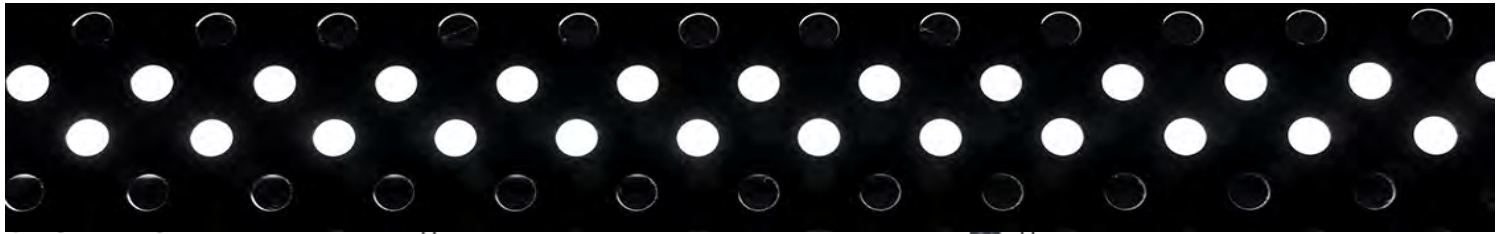
“ Anti-glaring light is required more and more for applications where people feel uncomfortable with the glaring light, especially when the lights are mounted in rooms that have a low ceiling height. Mildbeam is the ideal solution for visual protection. This increases the performance of staff and the quality of their work. ”



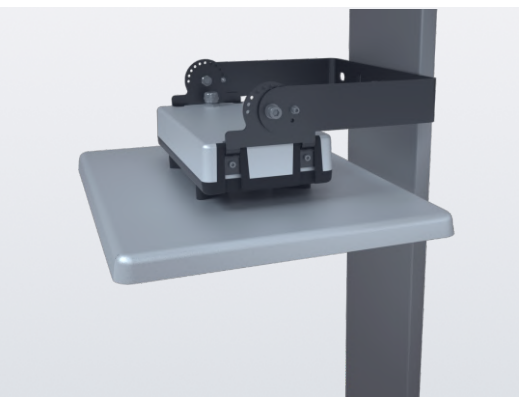
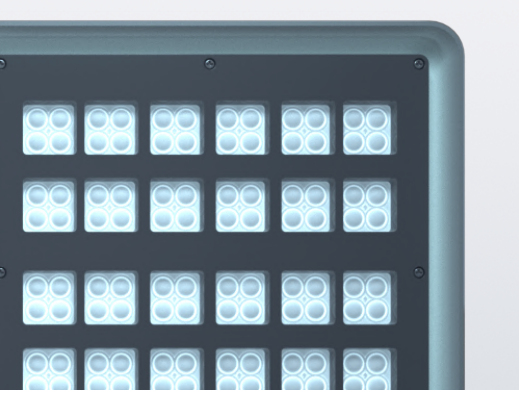
**Anti
Glaring**



UGR < 19



U G R < 1 9

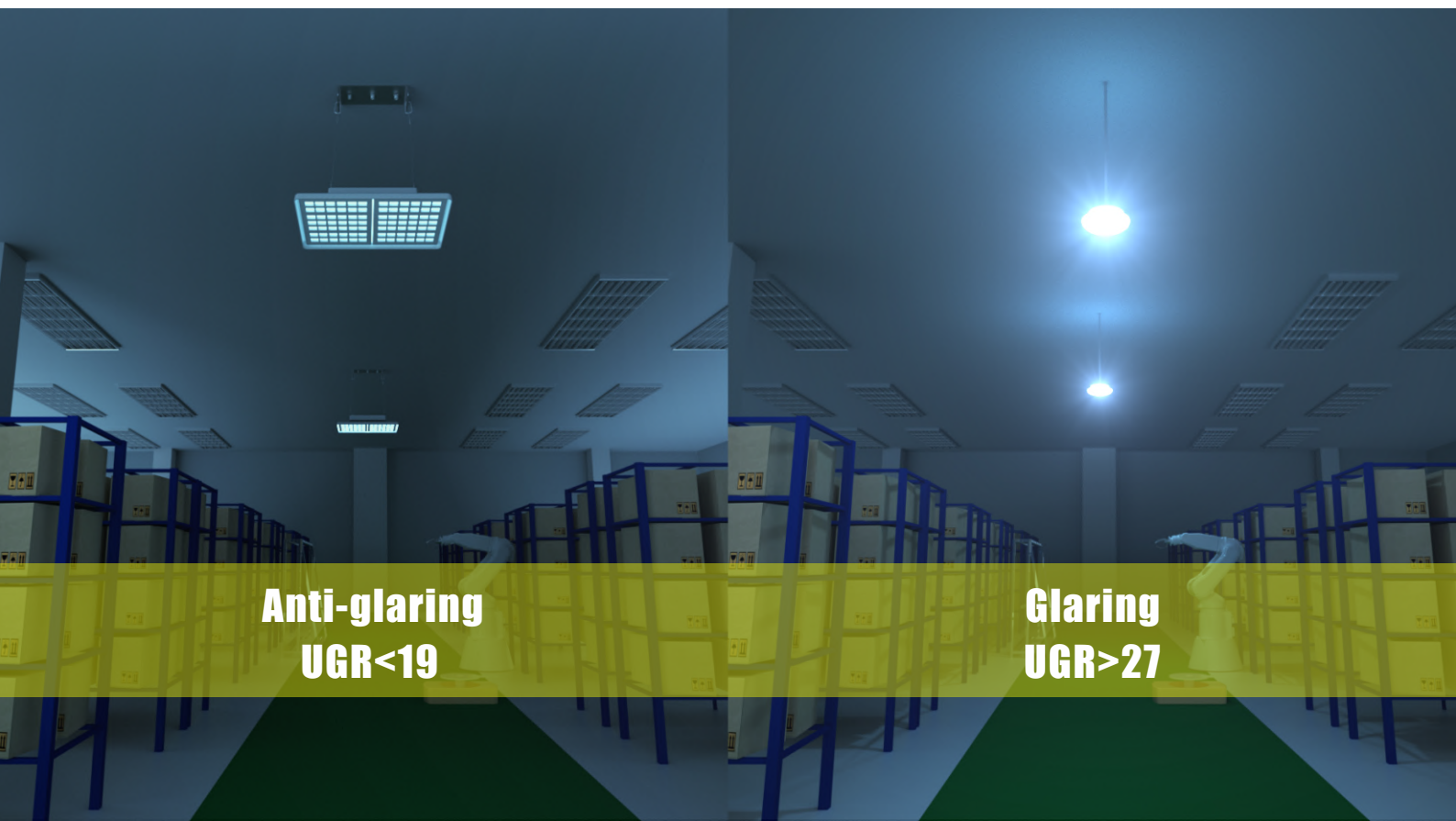


- **Advanced UGR technology**

The Optics was specially developed to minimize glare and maximize homogeneity. With an anti-glaring film on the lens and a shield in front, we managed to achieve $UGR < 20$

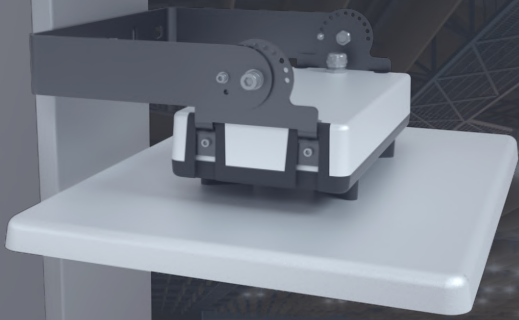
- **Simple installation**

With ceiling installation accessory equipped with mains lead, the two suspension points at the ceiling could be combined to One-Point installation. This saves time and cost for installation. And even vibrations and air movements are no longer able to twist it.



Anti-glaring
UGR < 19

Glaring
UGR > 27



IK10



More Than Good



Cree LED



Meanwell Driver



Pure Aluminum heatsink



European Design Patent



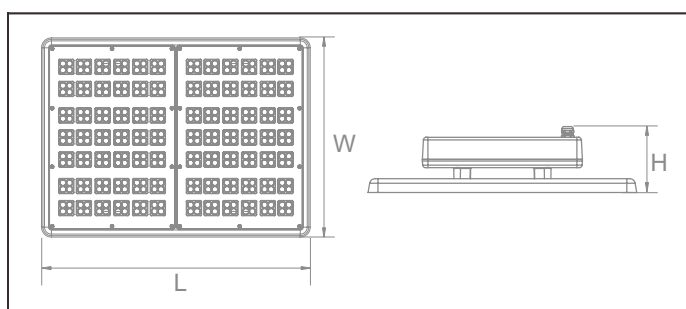


Features

Housing: Pure Aluminum
 Thermal Conductivity: 226 W/m·K
 Led: CREE JK 3030
 CRI: Ra>70 (80/90 for option)
 SDCM: <6
 Power Factor: >0.95
 THD: <15
 Driver: Meanwell ELG
 Driver Efficiency: >93%
 Protection: OTP, OCP, OVP, SCP
 Surge Protection: 6KV
 Waterproof: IP65
 Impact Test: IK10
 Electrical: 100-277V, 50/60Hz
 Operating Temperature: -40~50°C
 Tm21: L90B10>50,000H
 Lifetime: 50,000H



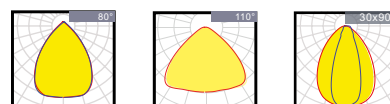
UGR < 19
IK 10



Functions

ZigBee · PWM · DALI · 0/1~10V · Micro-wave

Optical options:



Model	Watt	Voltage	Lumen	CRI	IP	Dimension
LT060ME2F-CM	60W	100~277V	7800LM	>70 (80)	IP65	L362*W257*H120MM
LT100ME2F-CM	100W	100~277V	13000LM	>70 (80)	IP65	L362*W257*H120MM
LT150ME2F-CM	150W	100~277V	19500LM	>70 (80)	IP65	L415*W310*H120MM
LT200ME4F-CM	200W	100~277V	26000LM	>70 (80)	IP65	L487*W362*H120MM
LT300ME6F-CM	300W	100~277V	39000LM	>70 (80)	IP65	L720*W365*H130MM



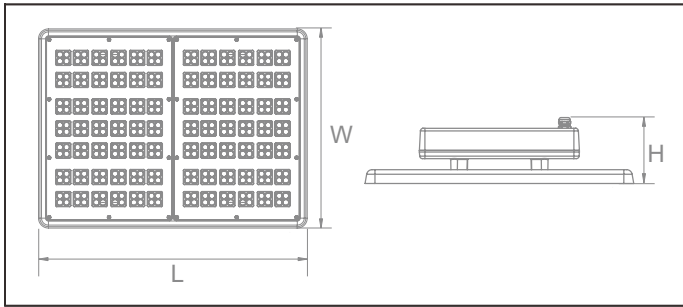
Mildbeam
LED High Bay Series



UGR < 19
IK 10

Features

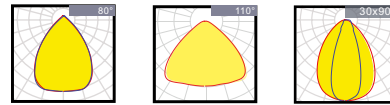
- Housing: Pure Aluminum
- Thermal Conductivity: 226 W/m·K
- Led: CREE JK 3030
- CRI: Ra>70 (80/90 for option)
- SDCM: <6
- Power Factor: >0.95
- THD: <15
- Driver: Osram
- Driver Efficiency: >93%
- Protection: OTP, OCP, OVP, SCP
- Surge Protection: 10KV
- Waterproof: IP65
- Impact Test: IK10
- Electrical: 220-240V, 50/60Hz
- Operating Temperature: -40~50°C
- Tm21: L90B10>50,000H
- Lifetime: 50,000H



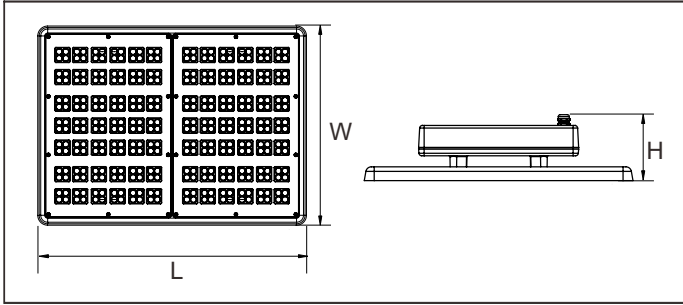
Functions

ZigBee · PWM · DALI · 0/1~10V · Micro-wave

Optical options:



Model	Watt	Voltage	Lumen	CRI	IP	Dimension
LT060ME2F-CO	60W	220~240V	7800LM	>70 (80)	IP65	L362*W257*H120MM
LT100ME2F-CO	100W	220~240V	13000LM	>70 (80)	IP65	L362*W257*H120MM
LT150ME2F-CO	150W	220~240V	19500LM	>70 (80)	IP65	L415*W310*H120MM
LT200ME4F-CO	200W	220~240V	26000LM	>70 (80)	IP65	L487*W362*H120MM
LT300ME6F-CO	300W	220~240V	39000LM	>70(80)	IP65	L720*W365*H130MM
LT360ME6F-CO	360W	220~240V	43200LM	>70(80)	IP65	L720*W365*H130MM



Model	L*W*H (mm)	Outer Carton(mm)			QTY/CTN	NW/CTN	GW/CTN
LT060ME2F	362*257*120	460	330	175	1	4.1	4.5
LT100ME2F	362*257*120	460	330	175	1	4.1	4.5
LT150ME2F	415*310*120	500	385	175	1	4.4	5.0
LT200ME4F	487*362*120	560	430	175	1	5.8	6.5
LT300ME6F	720*365*130	820	445	195	1	7.5	8.7
LT360ME6F	720*365*130	820	445	195	1	7.5	8.7