

LT

LIGHT&TOUCH

SPECIFICATION GUIDE

Twyzt Line - TWY-L

LED — 106 mm x 106 mm

FEATURES

Single, Continuous and Spiralling Lens Runs Length of Luminaire Up to End Caps

Horizontal or Vertical Suspension Mounting

Four Lengths:

- 718 mm
- 1286 mm
- 1854 mm
- 2422 mm

Direct/Indirect Distribution

Up to 5837 LM and 78 LM/W

Standard Output and RGB+W Options

Remote DALI, DMX, 10V or Phase Driver

Dimming Down to 0%

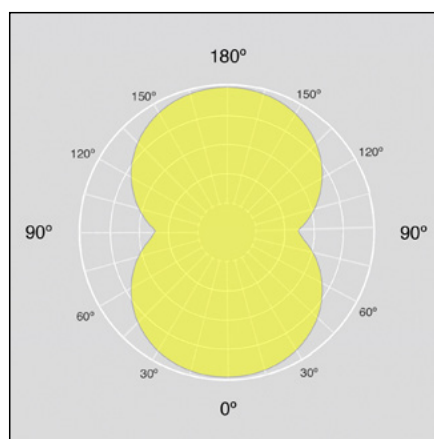
Remote Sensor Options

White, Black or Custom RAL Finish

SUSPENDED HORIZONTAL



DISTRIBUTION



Polar Plot Representative of One-Side of Configured Shape

Twyzt Line

TWY-L | Suspended

1. BASE MODEL / MOUNTING Select ONE

TWY-LSH Suspended horizontal
TWY-LSV Suspended vertical

2. SIZE* Select ONE

2-SECT 2 sections, 718 mm
4-SECT 4 sections, 1286 mm
6-SECT 6 sections, 1854 mm
8-SECT 8 sections, 2422 mm

3. LAMPING & LENS Select ONE from each category (note exceptions below)

<u>OUTPUT</u>	<u>CRI</u>	<u>CCT</u>	<u>LENS</u>	
MED	80	2700K	DIFF	Diffuse, flush (std.)
RGBW[^]	90	3000K		
		3500K		
		4000K		
		5000K		
		6500K		

[^]For RGBW, CRI does not apply (leave unchecked) and select 3000K or 4000K CCT only. White LEDs can remain uncommissioned for RGB-only output.

4. REMOTE DRIVER* Select ONE

NONDIM Non-dimming
DALI[#] DALI driver, dimming down to 1%
1/10V 1-10V, dimming down to 1%
0/10V 0-10V, dimming down to 0%
DMX[^] DMX driver, dimming down to 1%
PHASE For use with phase-cut triac, IGBT or sine wave dimmer switches

[#]DALI is required for use with TUNE/S; DALI (or DMX) is required for RGB/S

[^]DMX (or DALI) is required for use with RGB/S

Twyzt Line

TWY-L | Suspended

5. FINISH Select ONE

WH	White paint
BLK	Black paint
RAL/ _ _ _ _	Custom RAL [#] colour paint, ex: RAL/3000

*See RAL colour options and codes at lightforms.com/RAL. Options may be limited. Contact Light Forms for more information.

6. POWERFEED COLOUR Select ONE

GP	Grey (standard for suspended, default for other mountings)
WP	White
BP	Black
TP	Transparent
XP	Custom colour (contact Light Forms for options)

7. CANOPY Select ONE

NONE	Select NONE when specifying surface mount
STD	115 mm canopy for each separate powerfeed and suspension point (standard)
SMALL	82 mm canopy for each separate powerfeed and suspension point
COMBO	115 mm combo canopy for locations with both a powerfeed and suspension point

8. OPTIONAL ADD-ONS Select as many as apply

A. EMERGENCY

EM	Remote, 3-hour emergency battery, manual testing
EM/DALI	Remote, 3-hour emergency battery with DALI interface, automatic testing
EC	Emergency circuit

B. SENSOR

PRES	Remote, PIR presence detector
DALI/PRES	Remote, DALI-compatible PIR presence detector
PHOTO	Remote, photocell/daylight detector

C. WIRELESS CONTROL

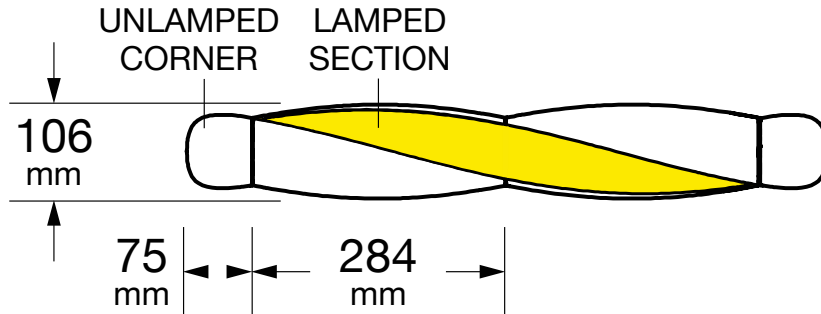
OLP*	Remote, Osram Lightify Pro wireless control module
-------------	--

*Must choose DALI option in DRIVER section.

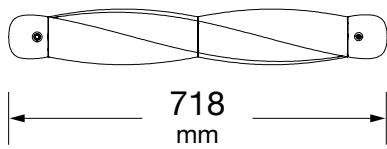
Twyzt Line

TWY-L | Suspended

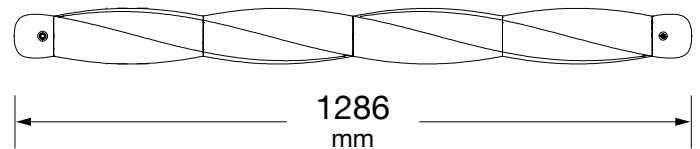
DIMENSIONS



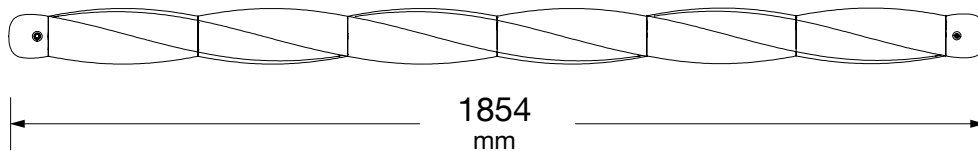
2-SECT



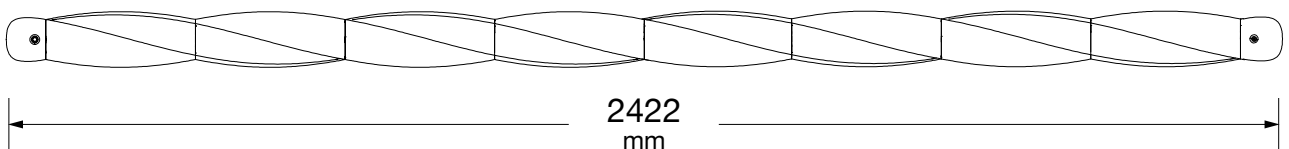
4-SECT



6-SECT



8-SECT



Twyzt Line

TWY-L | Suspended

DIRECT LED LAMPING – OPTIONS & PERFORMANCE DATA*

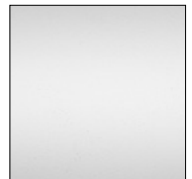
OUTPUT OPTIONS	SIZE OPTIONS LENGTH	DELIVERED LUMENS LM	WATTS W	EFFICACY LM/W	CRI OPTIONS	CCT OPTIONS	WEIGHT G		
MED [#]	2-SECT 718 MM	1359	17.5	78	80 90	2700K 3000K 3500K 4000K 5000K 6500K	754		
	4-SECT 1286 MM	2718	34.9				1350		
	6-SECT 1854 MM	4078	52.3				1947		
	8-SECT 2422 MM	5437	69.8				2543		
RGBW [#]	2-SECT 718 MM	system - N/A	22	N/A (entire system)	N/A (entire system)	3000K 4000K	754		
		white only - 292	10						
	4-SECT 1286 MM	system - N/A	44				29 (white only)	80 (white only)	1350
		white only - 584	20						
	6-SECT 1854 MM	system - N/A	65				87	1168	1947
		white only - 876	31						
	8-SECT 2422 MM	system - N/A	87				41	2543	
		white only - 1168	41						

L80 > 50,000 hours
Luminous flux +/- 5%

**Performance data is based on a connected-load photometric test of MED output with 80 CRI at 4000K using a DALI driver and DIFF lens. Data values for all other outputs are extrapolations.*

LENS

DIFF is a white satin, flush diffuser lens that produces smooth, even light across the lens surface.



Diffuse
DIFF

Twyzt Line

TWY-L | Suspended

SPECIFICATION DETAILS

HOUSING

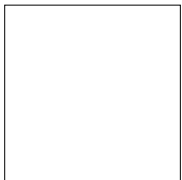
Housing is 3D-printed using organic, renewable and high-tensile PLA (polylactic acid) filament that produces smooth-surfaced structures.

WEIGHT

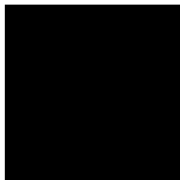
Approximately 754-2543 grams per unit. Weight may vary depending on mounting and other options.

FINISH OPTIONS

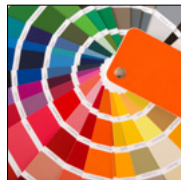
White, Black or custom RAL* paint.



White
WH



Black
BLK



Custom RAL
RAL

*RAL options may be limited. Contact Light Forms for more info.

REMOTE SENSORS

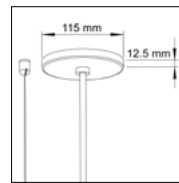
Optional, presence (PRES), DALI-compatible PIR presence (DALI/PRES) and daylight harvesting (PHOTO) sensors available. Contact Light Forms for further information.

OPERATING TEMPERATURE

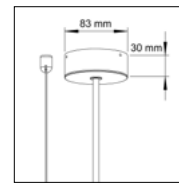
Luminaire MUST be installed and operated ONLY in dry or damp environments where the ambient temperature ranges from -20°C to 50°C. Luminaire operation in environments outside this temperature range voids the warranty AND may damage the product or adversely impact lamp life, lumen output and colour consistency.

SUSPENSION MOUNT CANOPY OPTIONS

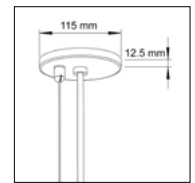
STD comprises separate 115 mm powerfeed canopy and cable bullet at powerfeed locations. SMALL comprises separate 85 mm powerfeed canopy and cable bullet at powerfeed locations. COMBO comprises combined 115mm canopy (canopy and cable bullet) at powerfeed locations. These three options include cable bullets for non-powerfeed locations.



Standard
STD



Small
SMALL



Combo
COMBO

WARRANTY

5-year limited warranty.

MANUFACTURING & CERTIFICATION

Products are manufactured in and comply with the health, safety and environmental protection standards of the respective region in which they are sold.



Europe



Asia



Greater India
+ Middle East

Twyzt Line

TWY-L | Suspended

PHOTOS

