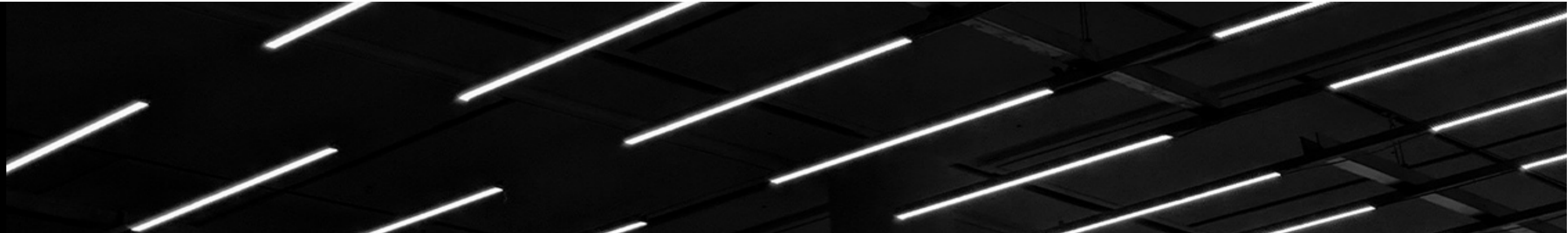


LT

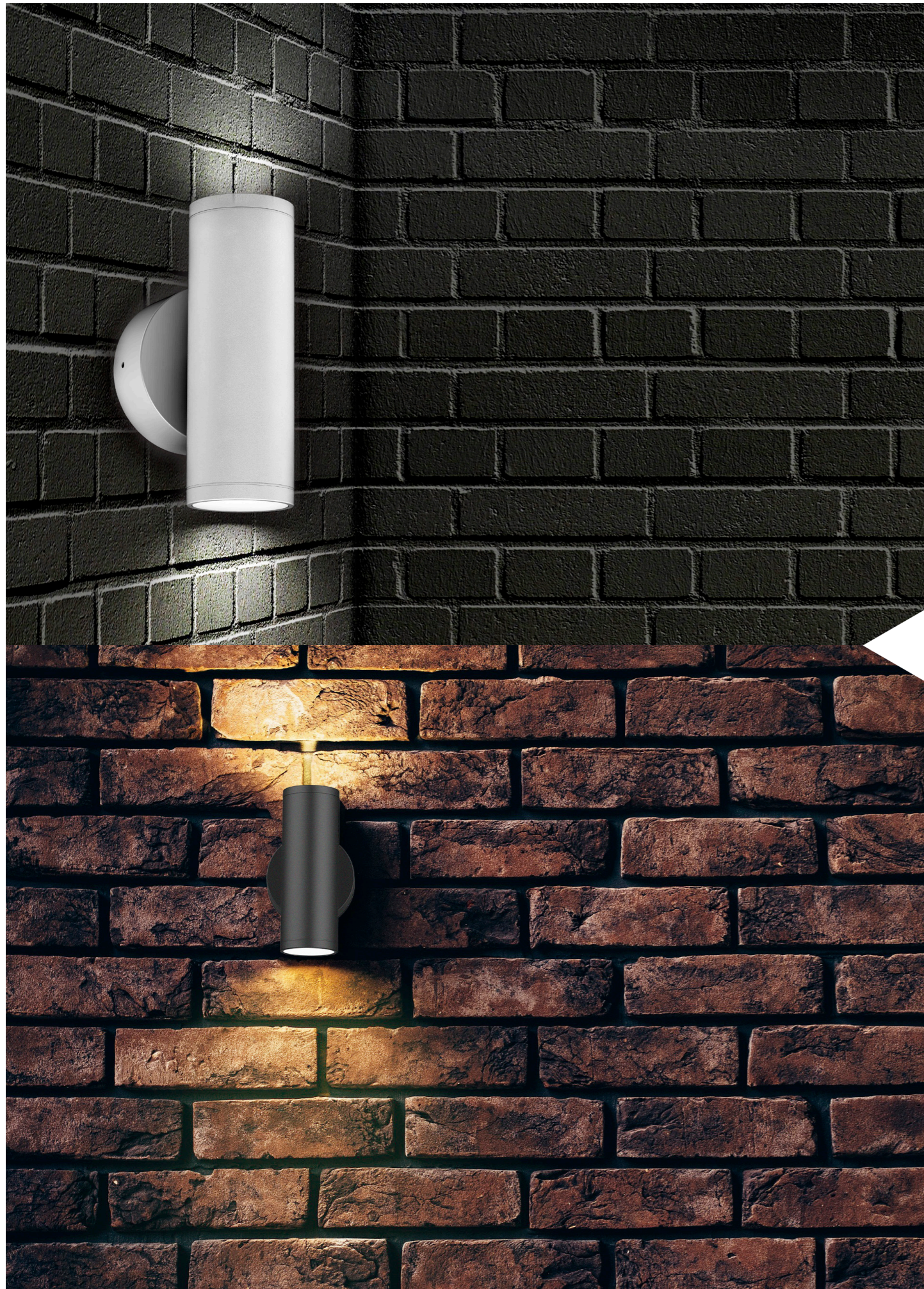
LIGHT & TOUCH



[Specifications](#)

LED Wall Light
Kanyster Series





Introduction

The LED wall light with up and down light effect design. Adopt 6063 aluminum housing providing excellent thermal management. IP65 waterproof for outdoor use.

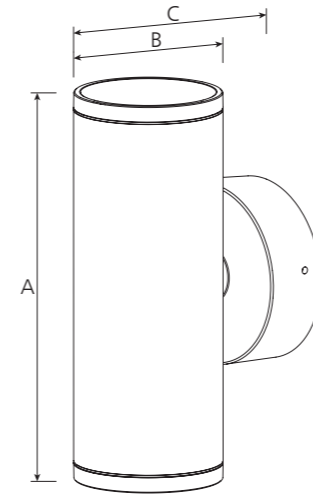
Features

- IP65 waterproof.
- Up and down luminous design.
- Different beam angle for options.
- Loop-in and loop-out function.
- Aluminum housing provides excellent thermal management.

Application Areas

corridors, stairwells, reception areas, meeting rooms, pillars in open plan offices.





Technical Data Sheet

Model No.	LT28-10W	LT28-20W	LT28-27W	
Watt(W)	10W	20W	27W	
Dimension(mm)	170*60*105	200*76*121	230*100*145	
Rated Input Voltage(V)	AC100-240V			
Input Voltage(V)	AC85-265V			
LED	COB			
SDCM	-			
CCT(K)	1CCT: 2700K / 3000K / 4000K / 5000K			
"Luminous Flux (lm) ±5%"	1-CCT Non-DIM	700~900	2000~2200	2800~3200
	DIM	-	-	-
CRI	≥80			
Beam Angle (°)	15° / 24° / 60°	15° / 36° / 60°	15° / 24° / 60°	
LED Driver	Built-in			
DIM	No			
Protection Class	Class I			
IP Rating	IP65			
IK Rating	-			
Finishing color	White RAL 9016 / Black RAL 9005			
Material	6063 Aluminum			
Lifetime (hr)	50,000h			
Glow wire test (°C)	750°C			
Operating Temp.(°C)	-20°C ~40°C			
Storage Temp.(°C)	-20°C ~65°C			
Installation	Wall mount			
Brand Driver option	-			

Measurement

Model	Dimension(mm)			Size(mm)	Product Weight (Kg)		Package weight (Kg)		Carton Size(cm)	Qty/CTN	20GP (pcs)	40HQ (pcs)
	A	B	C		N.W/PC	G.W/PC	N.W/CTN	G.W/CTN				
LT28-10W	170	60	105	170*60*105	0.60	0.72	10.80	13.50	48.5*34.5*46.0	18	7020	14220
LT28-20W	200	76	121	200*76*121	0.90	1.02	16.20	19.00	48.5*34.5*46.0	18	7020	14220
LT28-27W	230	100	145	230*100*145	1.20	1.35	14.40	17.50	54.5*42.0*36.5	12	3960	9408

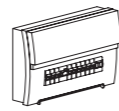
Driver Datasheet (Non-Dimmable)

Power	10W	20W	27W
Rated Input Voltage(V)	AC100-240V		
Frequency	50/60Hz		
Input Voltage	AC85-265V		
Efficiency	82%	87%	87%
Total load wattage	10W±1W	20W±5%	27W±5%
Power Factor	0.9	0.9	0.9
Rated Input Current	0.12A	0.25A	0.35A
Full load output voltage	DC30-40V	DC30-40V	DC30-40V
Rated output current	230mA	500mA	650mA
Output current range	230mA±5%	500mA±5%	650mA±5%
Power tolerance	±5%		
Current output tolerance	±5%		
Short circuit protection	PASS		
Over voltage protection	PASS		
Over temperature protection	PASS		
THD	<20% @ 230V		
Surge	L-N 0.5KV / LN-PE 1KV	L-N 0.5KV / LN-PE 1KV	L-N 1KV / LN-PE 2KV
Withstand voltage	AC3750V		

Installation Procedure

WARNING ⚡

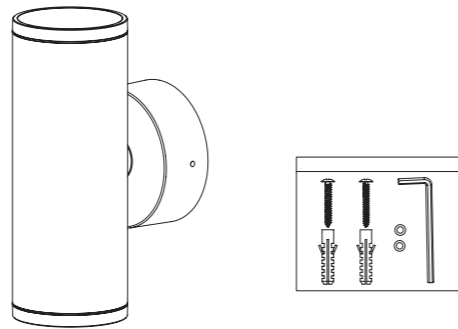
1. Switch off before installation / maintenance.
2. Switch on only after complete installation and examination of the circuit.
3. Professional electrician for installation and maintenance only.



Turn Off power supply before starting any installation. Read instructions & check you have all the tools & accessories to complete the installation correctly.

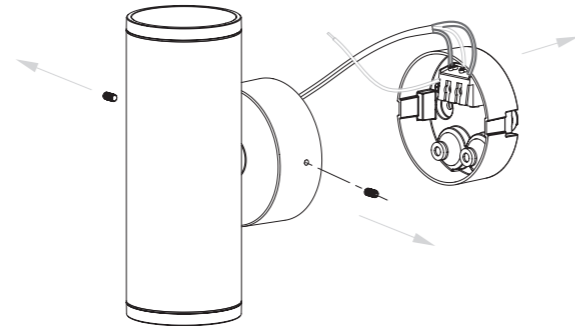
How to install

Step 1



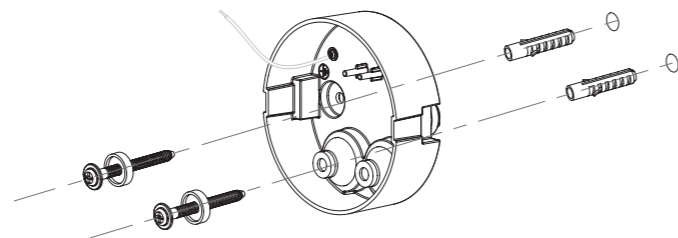
Take out the lamp and accessories.

Step 2



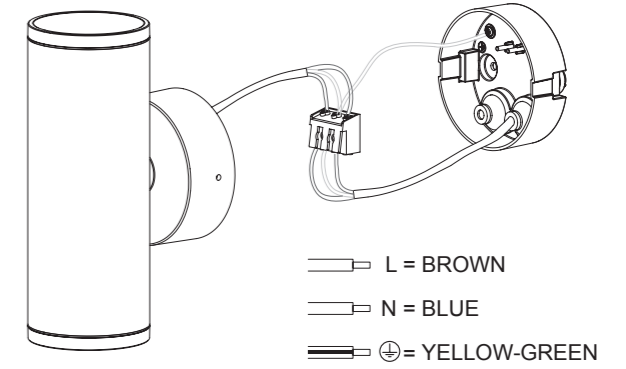
Take out the base from the lamp body.

Step 3



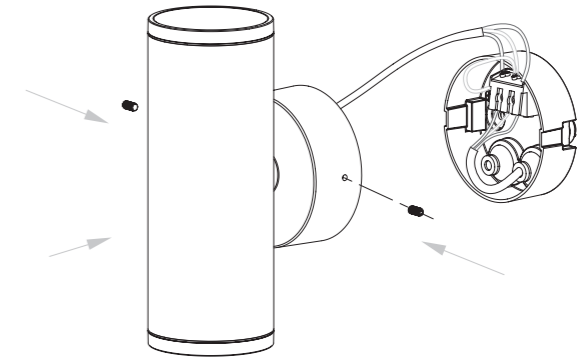
Fix the base on the wall and make the wires through the hole of the base.

Step 4



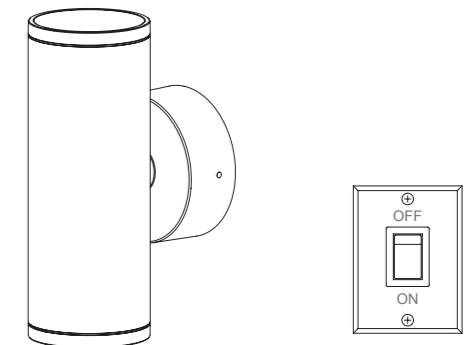
Set the wires respectively.

Step 5



Get the lamp fixture back to the base and fix it well.

Step 6



Switch on after complete installation.