

LT

LIGHT&TOUCH

Specifications



LED Wall Light

Viva 2 Series





Introduction

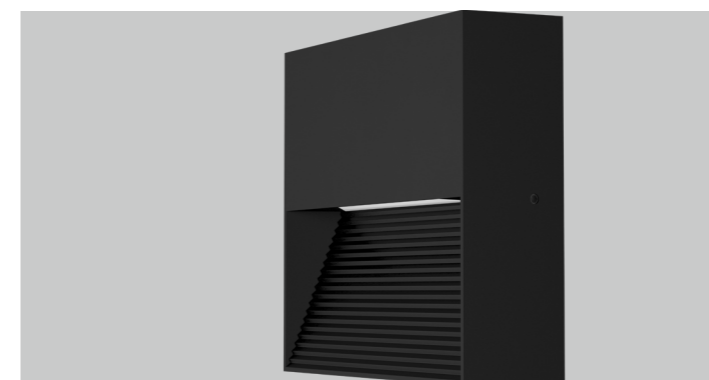
This is a compact wall light with wall mount installation, with round/square/rectangular shape options. Combines with line design to reach an indirect lighting and low glare effect. IP65 Waterproof for both indoor and outdoor application. Aluminum and anti-UV housing offers IK08 high protection level.

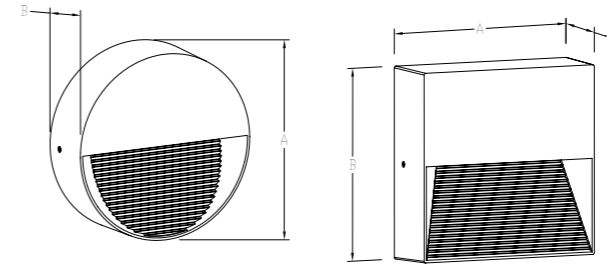
Features

- Round/square/rectangular shape options.
- Indirect lighting with hidden LED chip, low UGR.
- Aluminum housing provides a great thermal management.
- IP65 IK08 protection for both indoor and outdoor application.
- Loop in/out wire design.

Application Areas

It is designed for general lighting applications. It is also widely used for public areas, such as stairway, lobby, reception, corridors etc.





Technical Data Sheet

Code No.	LT59A-5W	LT59B-5W	LT59C-10W	LT59D-8W	LT59E-5W	LT59F-8W	
Dimension(mm)	D114*H40	L114*W114*H40	L250*W114*H35	D180*H37	L114*W180*H35	L180*W180*H40	
Cutout (mm)	-						
Watt(W)	5W	5W	10W	8W	5W	8W	
Rated Input Voltage(V)	AC200-240V						
Input Voltage(V)	230V						
LED Module Input	-						
Light Source	SMD 2835						
SDCM	<6						
CCT(K)	1-CCT: 3000K/4000K/5000K/5700K						
CCT Selection DIP Switch	NO						
Luminous Flux (lm) ±5%	Non-DIM	1-CCT	150-220		350-500	150-220	300-400
	DIM		-				
	Non-DIM	3-CCT	-				
	DIM		-				
CRI	Ra>80						
Beam Angle (°)	60°		70°				
UGR	-						
LED Driver	Built-in						
Dimming Option	-						
Sensor	-						
Emergency Kits	-						
Electrical Class	Class I						
Ingress Protection (IP Rating)	IP65						
Impact Resistance (IK Rating)	IK08						
Product Finishing(Base)	RAL9005						
Materials of Optics	Glass						
Materials of Housing	Aluminum ADC12						
Lifetime (hr)	50,000h						
Glow wire test (°C)	850°C						
Operating Temp. (°C)	-20°C ~45°C						
Storage Temp. (°C)	-20°C ~65°C						
Installation	Wall mount						

Measurement

Code	Dimension(mm)				Size(mm)	Product Weight (Kg)		Package weight (Kg)		Carton Size(cm)	Qty/CTN	20GP (pcs)	40HQ (pcs)
	A	B	C	D		N.W/PC	G.W/PC	N.W/CTN	G.W/CTN				
LT59A-5W	114	40	-	-	114*40	0.33	0.45	11.88	17.1	52*34.5*39.5	36PCS	14400	32544
LT59B-5W	114	114	40	-	114*114*40	0.39	0.48	14.04	18.2	52*34.5*39.5	36PCS	14400	32544
LT59C-10W	250	114	35	-	250*114*35	0.75	0.9	9	11.5	59.5*34.5*28	12PCS	5796	13536
LT59D-8W	180	37	-	-	180*37	0.62	0.77	14.88	19.5	50.5*47.5*39.5	24PCS	6624	14976
LT59E-5W	114	180	35	-	114*180*35	0.525	0.65	6.3	9.6	54.5*34.5*28	12PCS	5796	13536
LT59F-8W	180	180	40	-	180*180*40	0.74	0.89	17.76	22.4	50.5*47.5*39.5	24CS	6624	14976

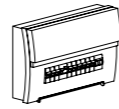
Driver Datasheet (Non-dimmable)

Total load wattage		5W	8W	10W
Output	Output Voltage range	DC60-75V		
	Rated output current	65mA±5%	100mA±5%	130mA±5%
	Line Regulation	±5%		
	Setup, Rise Time	≤0.5S		
	Flickering Index	0.8%(NO RISK)		
Input	Input Voltage	AC200-240V		
	Rated Input Voltage(V)	AC230V		
	Frequency	50/60Hz		
	Input Current	≤0.03A	≤0.05A	≤0.06A
	Rated Input Current	≤0.02A	≤0.04A	≤0.05A
	Power Factor	0.9		
	THD	-		
	Efficiency	≥87%		
Protection	No load wattage	≤0.5W		
	Short circuit protection	Pass		
	Over voltage protection	Pass		
Safety & EMC	Over temperature protection	Pass		
	Withstand voltage	-		
	Isolation Resistance	-		
	Surge	IEC61000-4-5(L-N:0.5KV, L/N-PE:1KV)		
EMC	EMC Emission	EN55015, EN61000-3-2		
	EMC Immunity	EN61000-4-2,3,4,5,6,8,11; EN61547		

Installation Procedure

WARNING ⚡

1. Switch off before installation / maintenance.
2. Switch on only after complete installation and examination of the circuit.
3. Professional electrician for installation and maintenance only.

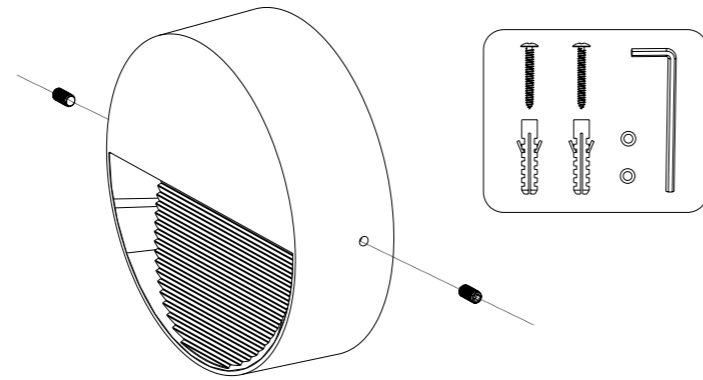


Turn Off power supply before starting any installation. Read instructions & check you have all the tools & accessories to complete the installation correctly.

How to install

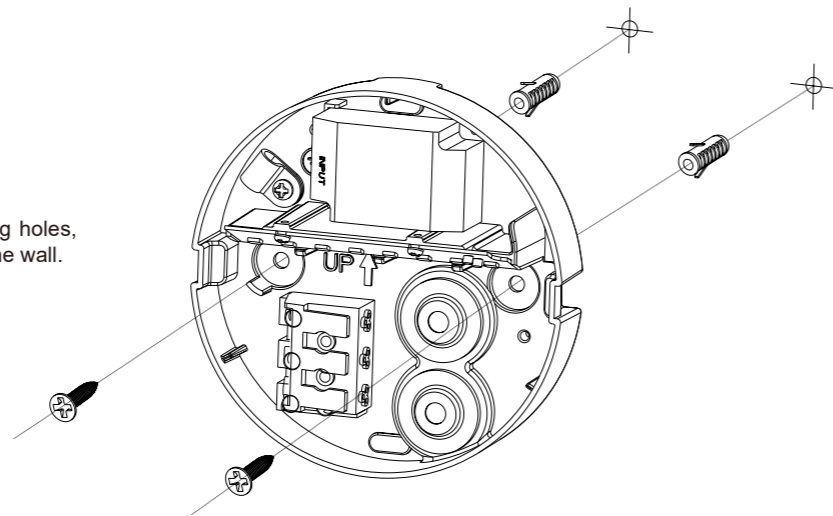
Step 1

Remove the side cap screws with a hex wrench, then open the cover.



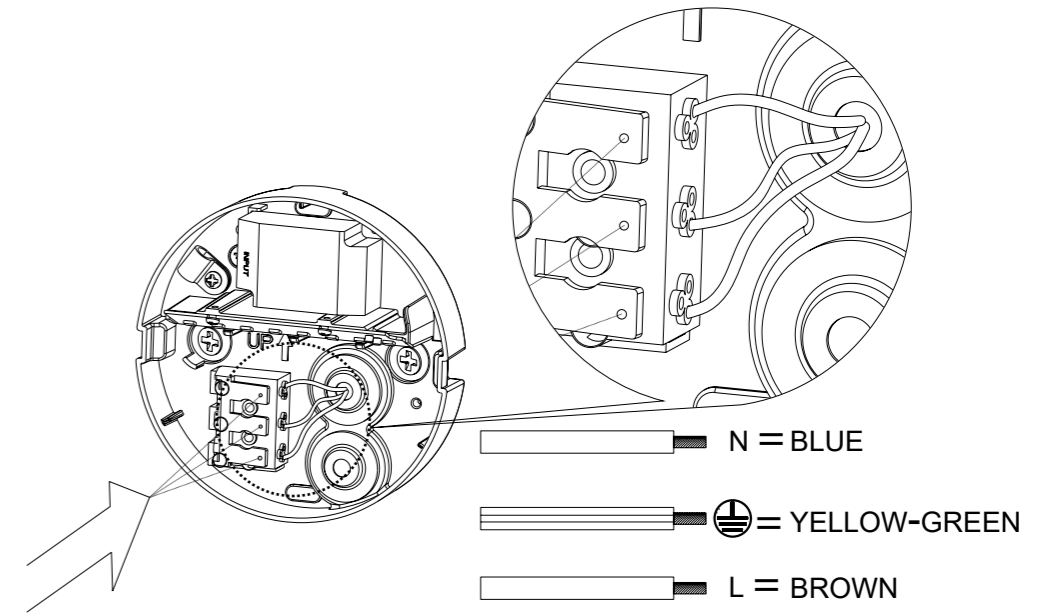
Step 2

Turn off power supply, according to lamp base mounting holes, drill holes in needed position, then fix the lamp base on the wall.



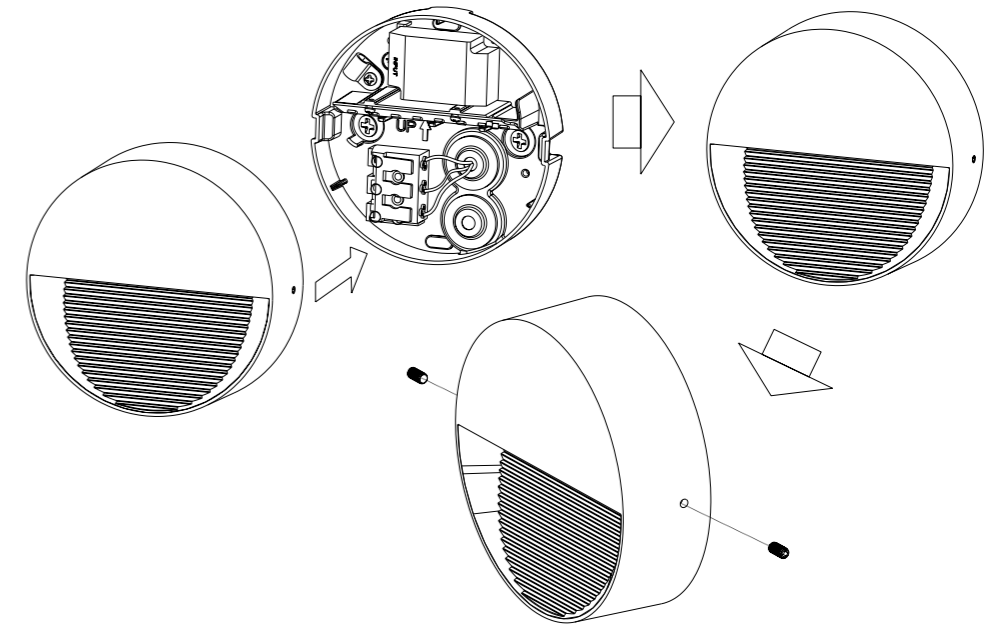
Step 3

Connect AC wires correspondingly.



Step 4

Fix the cover with side cap screws.



Step 5

Turn on.

