



LED Wall Light

Viva 1 Series





Introduction

This is a compact wall light with recessed installation, with round/square/rectangular shape options. Combines with line design to reach an indirect lighting and low glare effect. IP65 Waterproof for both indoor and outdoor application. Aluminum and anti-UV housing offers IK08 high protection level.

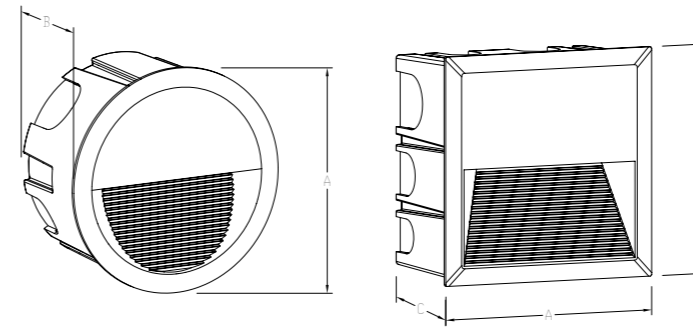
Features

- Round/square/rectangular shape options.
- Indirect lighting with hidden LED chip, low UGR.
- Aluminum housing provides a great thermal management.
- IP65 IK08 protection for both indoor and outdoor application.
- Loop in/out wire design.

Application Areas

It is designed for both indoor and outdoor lighting applications. It is also widely used for public areas, such as stairway, lobby, reception, corridors, yard, garden etc.





Technical Data Sheet

Code No.	LT60A-5W	LT60B-5W	LT60C-10W	LT60A-8W	LT60B-8W	LT60C-5W
Dimension(mm)	D135*H78	L136*W136*H78	L271*W135*H78	D202*H78	L201*W201*H78	L136*W202*H78
Cutout (mm)	Ø130X78	130X130X78	266X130X78	Ø196X78	195X195X78	196X130X78
Watt(W)	5W	5W	10W	8W	8W	5W
Rated Input Voltage(V)	AC200-240V					
Input Voltage(V)	230V					
LED Module Input	-					
Light Source	SMD 2835					
SDCM	<6					
CCT(K)	1-CCT: 3000K/4000K/5000K/5700K					
CCT Selection DIP Switch	NO					
Luminous Flux (lm) ±5%	Non-DIM	1-CCT	150-220	350-500	300-400	150-220
	DIM		-			
	Non-DIM	3-CCT	-			
	DIM		-			
CRI	Ra>80					
Beam Angle (°)	60°		70°			
UGR	-					
LED Driver	Built-in					
Dimming Option	-					
Sensor	-					
Emergency Kits	-					
Electrical Class	Class I					
Ingress Protection (IP Rating)	IP65					
Impact Resistance (IK Rating)	IK08					
Product Finishing(Base)	RAL9005					
Materials of Optics	Glass					
Materials of Housing	Aluminum ADC12					
Lifetime (hr)	50,000h					
Glow wire test (°C)	850°C					
Operating Temp. (°C)	-20°C ~45°C					
Storage Temp. (°C)	-20°C ~65°C					
Installation	Recessed					

Measurement

Code	Dimension(mm)			Size(mm)	Product Weight (Kg)		Package weight (Kg)		Carton Size(cm)	Qty/CTN	20GP (pcs)	40HQ (pcs)
	A	B	C		N.W/PC	G.W/PC	N.W/CTN	G.W/CTN				
LT60A-5W	135	78	-	135*78	0.375	0.49	6.75	9.7	56*39.5*32	18PCS	7182	16848
LT60B-5W	136	136	78	136*136*78	0.45	0.57	8.1	11	56*39.5*32	18PCS	7182	16848
LT60C-10W	271	135	78	271*135*78	0.86	1.075	10.32	13.9	63*39*41	12PCS	3288	7800
LT60A-8W	202	78	-	202*78	0.708	0.95	4.25	6.4	53.5*28.5*33.5	6PCS	3216	7920
LT60B-8W	201	201	78	201*201*78	0.85	1.08	5.1	7.2	53.5*28.5*33.5	6CS	3216	7920
LT60C-5W	136	202	78	136*202*78	0.61	0.8	7.32	10.6	49*39*41	12PCS	3288	7800

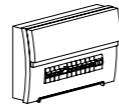
Driver Datasheet (Non-dimmable)

Total load wattage		5W	8W	10W
Output	Output Voltage range	DC60-75V		
	Rated output current	65mA±5%	100mA±5%	130mA±5%
	Line Regulation	±5%		
	Setup, Rise Time	≤0.5S		
	Flickering Index	0.8%(NO RISK)		
Input	Input Voltage	AC200-240V		
	Rated Input Voltage(V)	AC230V		
	Frequency	50/60Hz		
	Input Current	≤0.03A	≤0.05A	≤0.06A
	Rated Input Current	≤0.02A	≤0.04A	≤0.05A
	Power Factor	0.9		
	THD	-		
	Efficiency	≥87%		
Protection	No load wattage	≤0.5W		
	Short circuit protection	Pass		
	Over voltage protection	Pass		
Safety & EMC	Over temperature protection	Pass		
	Withstand voltage	-		
	Isolation Resistance	-		
	Surge	IEC61000-4-5(L-N:0.5KV, L/N-PE:1KV)		
EMC	EMC Emission	EN55015, EN61000-3-2		
	EMC Immunity	EN61000-4-2,3,4,5,6,8,11; EN61547		

Installation Procedure

WARNING ⚡

1. Switch off before installation / maintenance.
2. Switch on only after complete installation and examination of the circuit.
3. Professional electrician for installation and maintenance only.

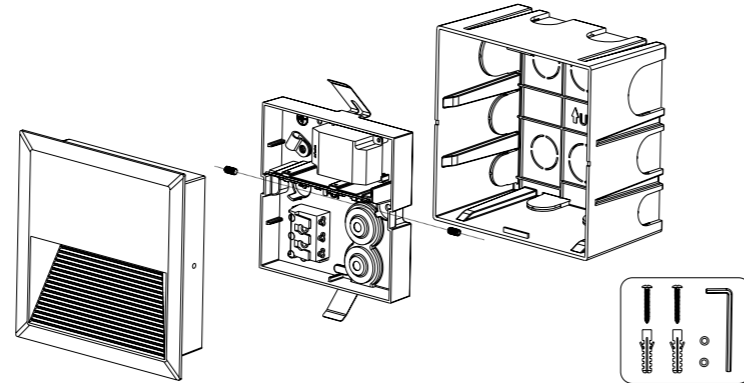


Turn Off power supply before starting any installation. Read instructions & check you have all the tools & accessories to complete the installation correctly.

How to install

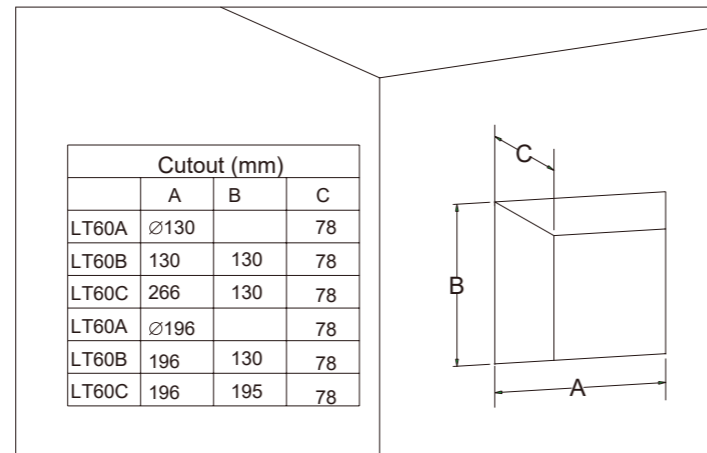
Step 1

Remove the side cap screws with a hex wrench, then open the cover.



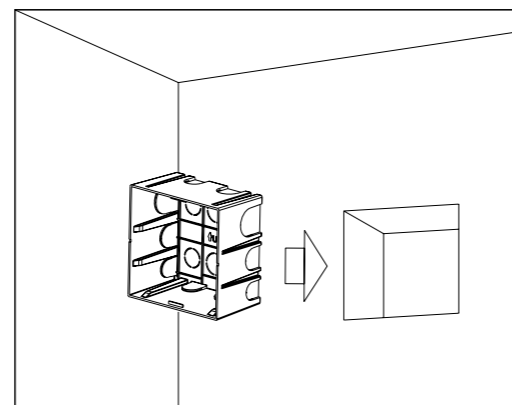
Step 2

Open a hole according to lamp size.



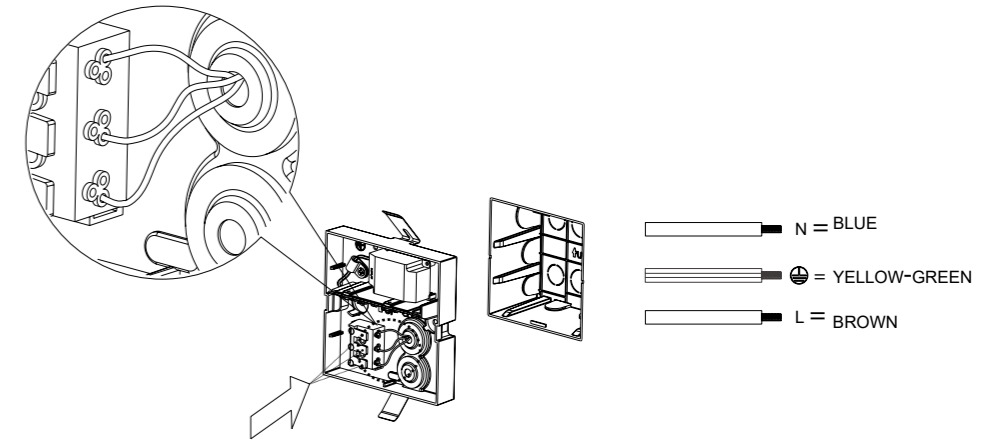
Step 3

Turn off power supply, put the embedded box into the hole, note the 'UP' mark on the bottom.



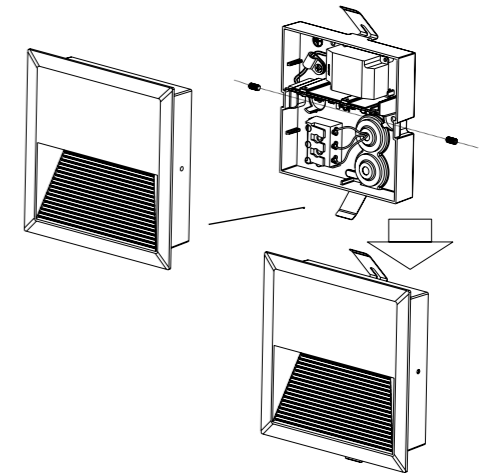
Step 4

Connect AC wires correspondingly.



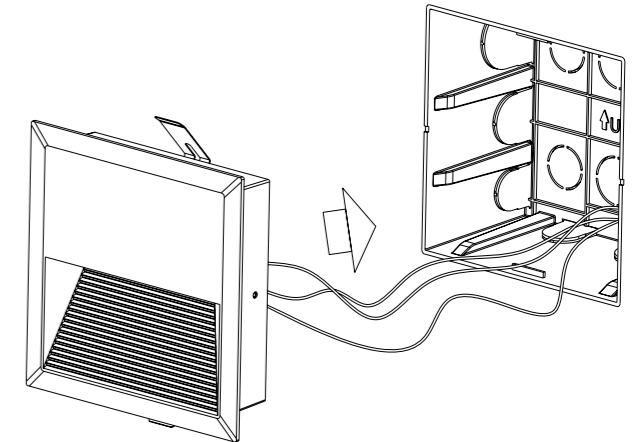
Step 5

Fix the cover with side cap screws.



Step 6

Buckle the lamp into the embedded box.



Step 7

Turn on.

