

WEATHERPROOF EMERGENCY



Weatherproof LED Emergency Light

The Weatherproof Emergency Light is available as an integral IP66/67 weatherproof box solution.

The Weatherproof Emergency Light utilises Lifelight Pro technology to ensure outstanding performance and enhanced longevity.



Applications

- | | |
|---|--|
|  Warehouses |  Schools |
|  Factories |  Public Amenities |
|  Car Parks |  Food Processing |

Features and Benefits

- Tested to BS EN 605982-22
- LED lamps
- IP66/67 Weatherproof
- Lithium Nanophosphate® battery
- DALI® and Zoneworks® test options available
- CTP System compatible



WEATHERPROOF EMERGENCY

ORDERING INFORMATION		L10
PART NO.	Type	Integral
	Standard - White	LWPLIFE-PRO
	Clevertest Plus System Compatible	Yes
	DALI	LWPLIFE-PRO-DALI
	Zoneworks® XT	LWPLIFE-PRO-ZW
Carton Quantity	1 piece	
Weight - single (carton)	3.0kg	
Dimensions (L x W x H)	380mm x 190mm x 135mm	

POWER, LAMPS AND BATTERY		L10
Power Consumption (Standby / Max)		0.4W / 2.7W
Lamp(s)		100,000 hr LEDs
Battery		Lithium Nanophosphate®
Voltage (V) / Capacity (mAh)		3.3V / 5000mAh
Charging Method		Intelligent Current Limited Constant Voltage

TECHNICAL SPECIFICATIONS		L10
Operating Mode		Non-Maintained
Voltage (V) (Frequency (Hz))		220-240V (50Hz)
Operating Temperature		0°C to 40°C
Ingress Protection Rating (IP)		IP66/67

PROTECTION	
	Battery overvoltage & overcurrent protection
	Battery deep discharge protection
	Supply voltage polarity reversal protection
	Battery short-circuit protection (charging will resume upon removal of fault)
	Kit box (enclosure) of lamp controlgear provides protection against accidental contacts with live parts

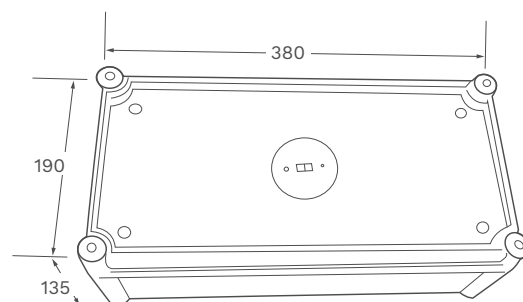
LUMINAIRE CLASSIFICATION		L10			
Classification		X	0	ADF	180

SPARE PARTS		L10
Battery		1530232
DALI Node		8003061
Zoneworks® XT Node		8001450

CEILING MOUNTING HEIGHT (M)	1 LUX SPACING TABLE AND MOUNTING HEIGHTS				0.5 LUX SPACING TABLE AND MOUNTING HEIGHTS			
	Escape Routes 1 Lux min. along centre line				Open (Anti-panic) Areas 0.5 Lux min. within core area Luminaires arranged in a regular array			
	Axial Spacing	Transverse Spacing	Axial to Wall	Transverse to Wall	Axial Spacing	Transverse Spacing	Axial to Wall	Transverse to Wall
	L10	L10	L10	L10	L10	L10	L10	L10
2.7	11.2	11.2	5	5	11.6	11.6	4.4	4.4
3	11.7	11.7	5	5	12.2	12.2	4.6	4.6
4	12.7	12.7	5.2	5.2	14.2	14.2	4.4	4.4
5	13.2	13.2	5.1	5.1	15.2	15.2	4.7	4.7

LWPLIFE-PRO

Dimensions (mm)



*Warranty information located at: <https://clevertronics.co.uk/product-warranty-statement/>

The product details described in this document are current as at the version date of the document. We reserve the right to change product design, specifications or materials (Specifications) as part of our continuous improvement program. Please confirm the applicable Specifications at the time of placing your order.